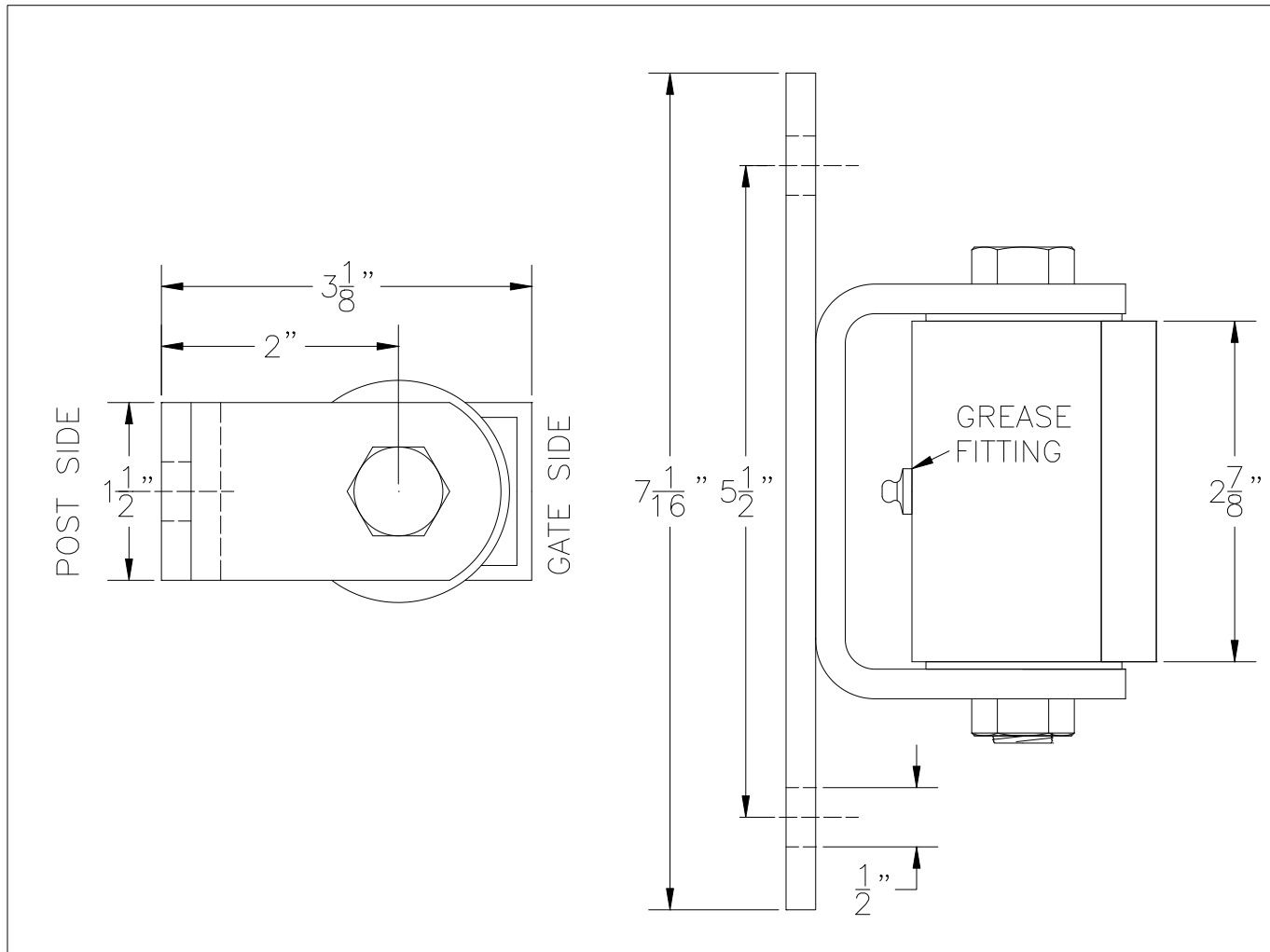


NOTES:

1. MATERIAL—
POST SIDE—CARBON STEEL
GATE SIDE—ALUMINUM
2. ALL DIMENSIONS ARE
STANDARD INCH.
3. WELDED CONSTRUCTION
4. FINISH PAINT —
2173.100—STEEL: PRIMER
ALUMINUM: NONE
5. MOUNTING —
POST—BOLT TO POST
GATE—FLAT





Guardian
GATE HARDWARE

<small>DESCRIPTION</small>			
GUARDIAN STD. HINGE MOD.2173.100			
<small>DATE</small>	<small>SCALE</small>	<small>DATE</small>	<small>SCALE</small>
1/2/07	1=1		
<small>DRAWN BY</small>	<small>SHEET</small>	<small>SHEET SIZE</small>	<small>REVISION</small>
GGH	1 OF 1	B	
<small>PART NUMBER</small>			<small>REVISION</small>
GH-SPEC-2173			-

COPYRIGHT © 2007 GUARDIAN GATE HARDWARE

4261 S. COUNTRY CLUB RD., TUCSON, AZ 85714-2009 1.520.881.3380 FAX 1.520.320.1820
E-mail: sales@guardiangatehardware.com http://www.guardiangatehardware.com