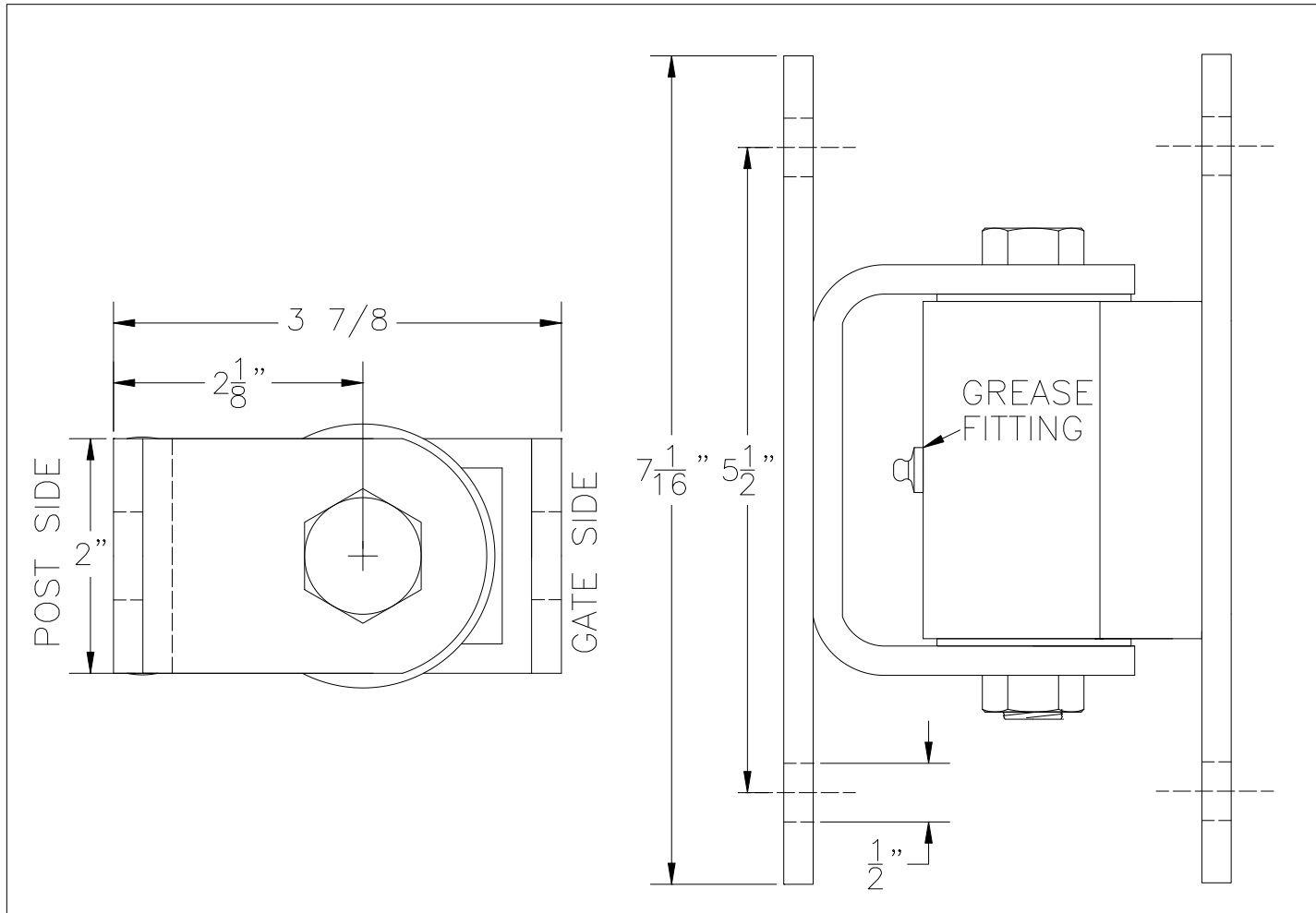



NOTES:

1. MATERIAL - STAINLESS STEEL
2. ALL DIMENSIONS ARE STANDARD INCH.
3. WELDED CONSTRUCTION
4. FINISH PAINT - 2185.100-NONE
5. MOUNTING - POST-BOLT TO POST
GATE-BOLT TO GATE



	
<p>DESCRIPTION GUARDIAN STD. HINGE MOD.2185.100</p>	
DATE	SCALE
1/2/07	1=1
DRAWN BY	SHEET
GGH	1 OF 1
PART NUMBER	REVISION
GH-SPEC-2185	-

COPYRIGHT © 2007 GUARDIAN GATE HARDWARE

4261 S. COUNTRY CLUB RD., TUCSON, AZ 85714-2009 1.520.881.3380 FAX 1.520.320.1820
E-mail: sales@guardiangatehardware.com http://www.guardiangatehardware.com