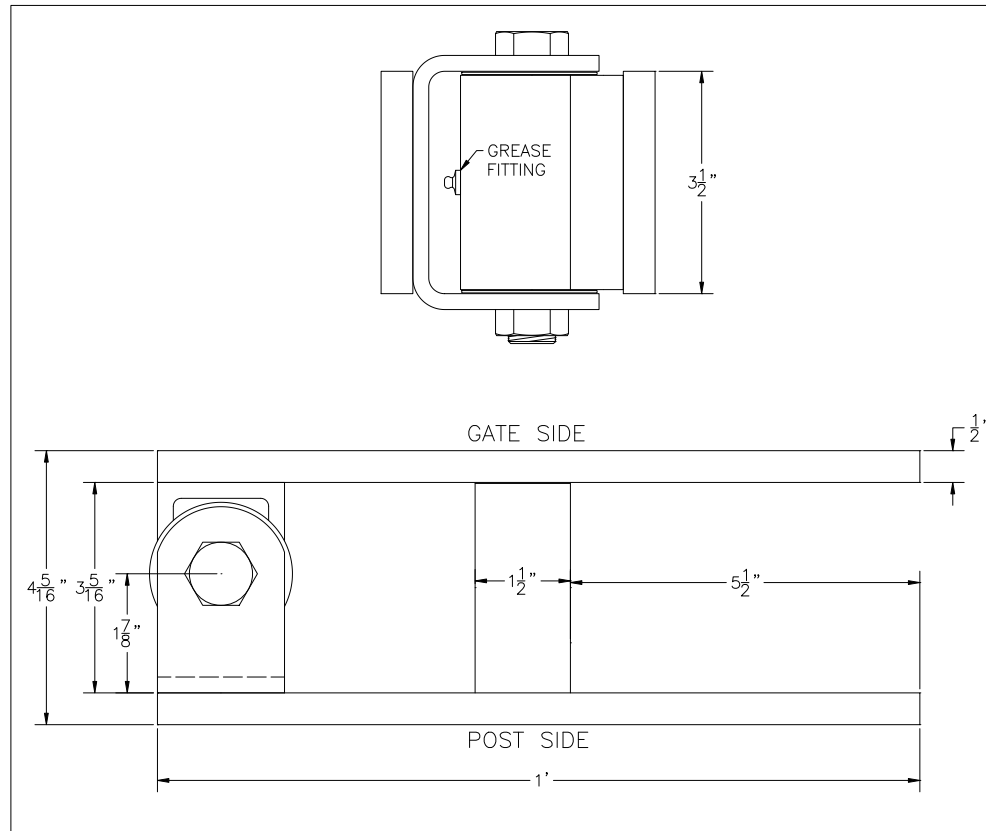


NOTES:

1. MATERIAL—
CARBON STEEL
2. ALL DIMENSIONS ARE
STANDARD INCH.
3. WELDED CONSTRUCTION
4. FINISH PAINT —
2190.100—PRIMER
5. MOUNTING —
UPHILL SWING



Guardian
GATE HARDWARE

DESCRIPTION
**GUARDIAN HD HINGE
MOD.2190.100**

DATE 12/27/06	SCALE 1=2
DRAWN BY GGH	SHEET 1 OF 1
PART NUMBER GH-SPEC-2190	REVISION -

COPYRIGHT © 2007 GUARDIAN GATE HARDWARE

4261 S. COUNTRY CLUB RD., TUCSON, AZ 85714-2009 1.520.881.3380 FAX 1.520.320.1820
E-mail: sales@guardiangatehardware.com http://www.guardiangatehardware.com