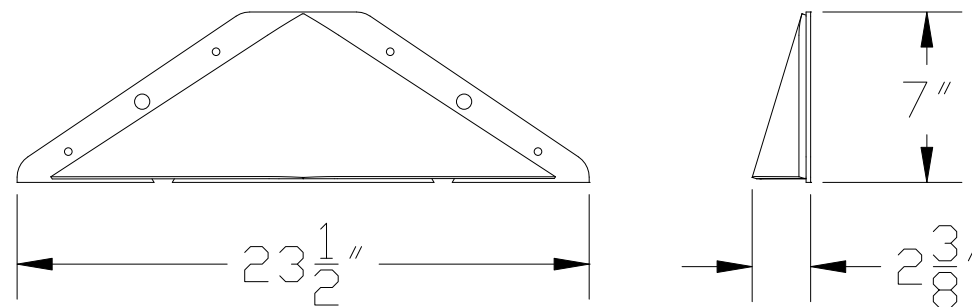


1236.100
36" TRAFFIC CONTROL SECTION



1236.190
END BEVEL (SOLD IN PAIRS)



4261 S. COUNTRY CLUB RD., TUCSON, AZ 85714-2009 USA
E-mail:sales@guardiantrafficsystems.com

COPYRIGHT © 2007 GUARDIAN TRAFFIC SYSTEMS

1.520.881.3380 FAX 1.520.320.1820
http://www.guardiantrafficsystems.com

DESCRIPTION			
COBRA II HD 1236 SURFACE MT. SYSTEM			
DATE	5/17/07	SCALE	NTS
DRAWN BY	GTS	SHEET	1 OF 1
		SHEET SIZE	B
PART NUMBER	TC-1236.100 & .190		REVISION
			0