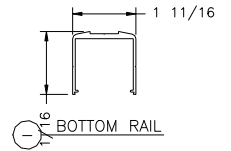
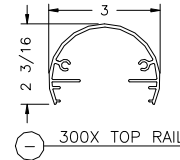
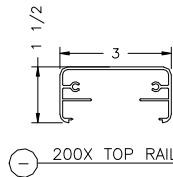
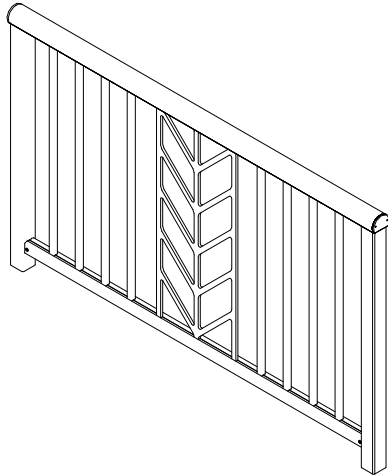




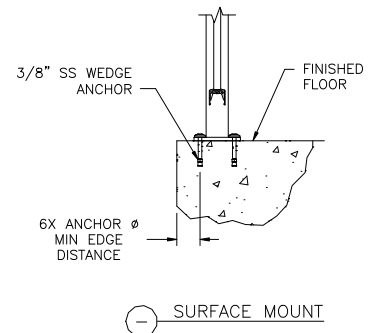
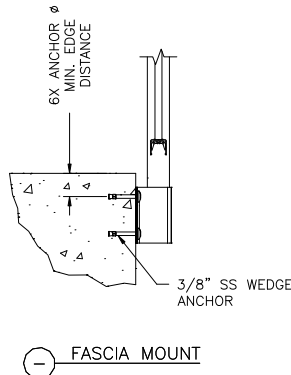
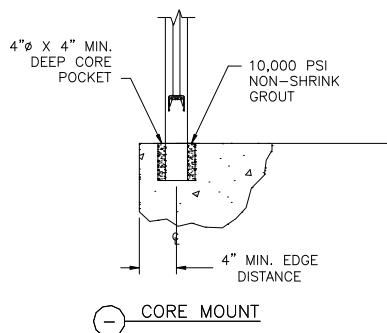
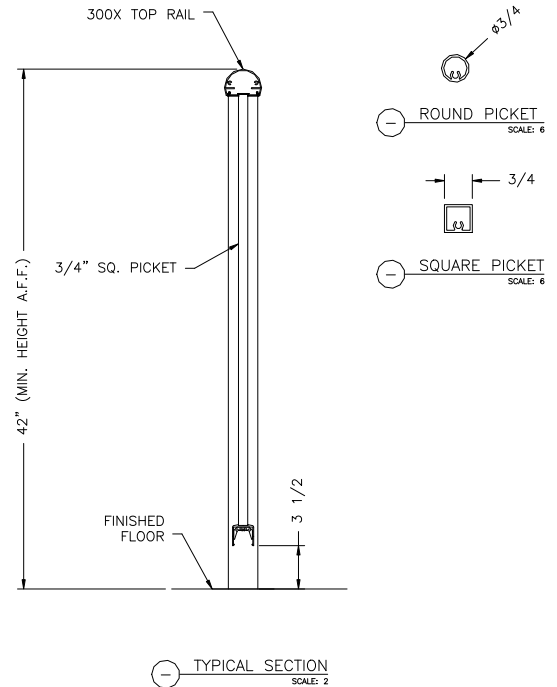
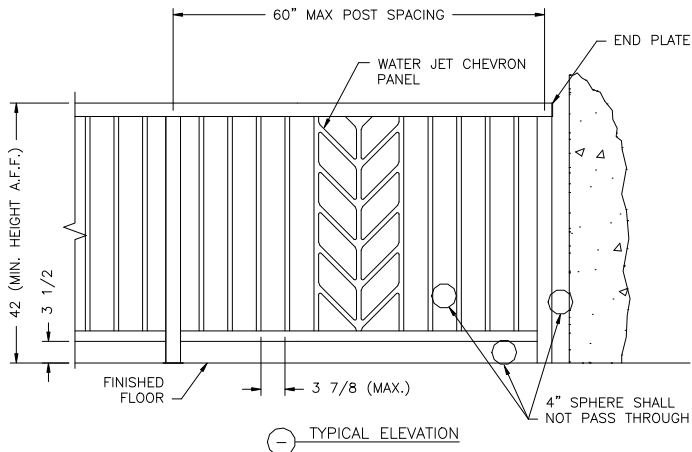
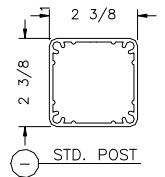
WORLD CLASS ARCHITECTURAL PRODUCTS

**HANSEN**  
ARCHITECTURAL  
SYSTEMS

5500 SE ALEXANDER ST. HILLSBORO OR. 97123  
PH. 503-356-0959 FAX 503-356-8478



NOTE:  
SEE TOP RAIL PROFILE  
PAGE FOR ALL HANSEN  
TOP RAILS



CUSTOM WATER JET INFILL OPTION  
[www.aluminumrailing.com](http://www.aluminumrailing.com)