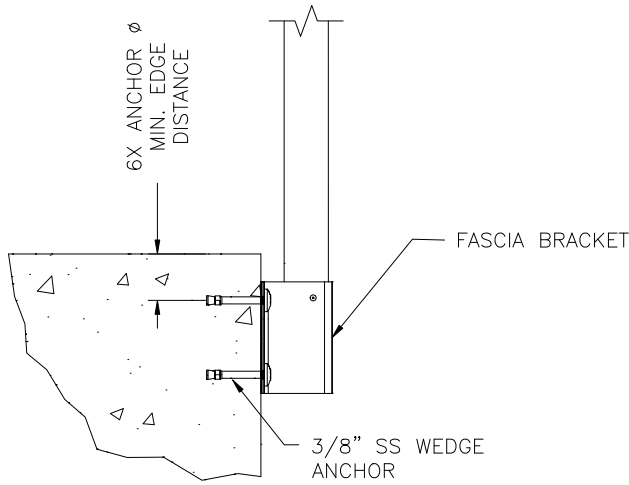




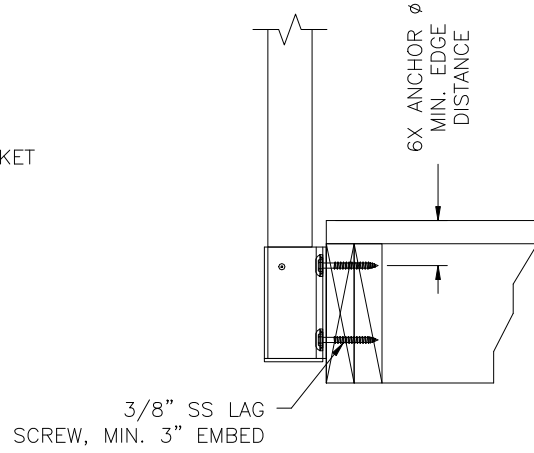
WORLD CLASS ARCHITECTURAL PRODUCTS

HANSEN
ARCHITECTURAL
SYSTEMS

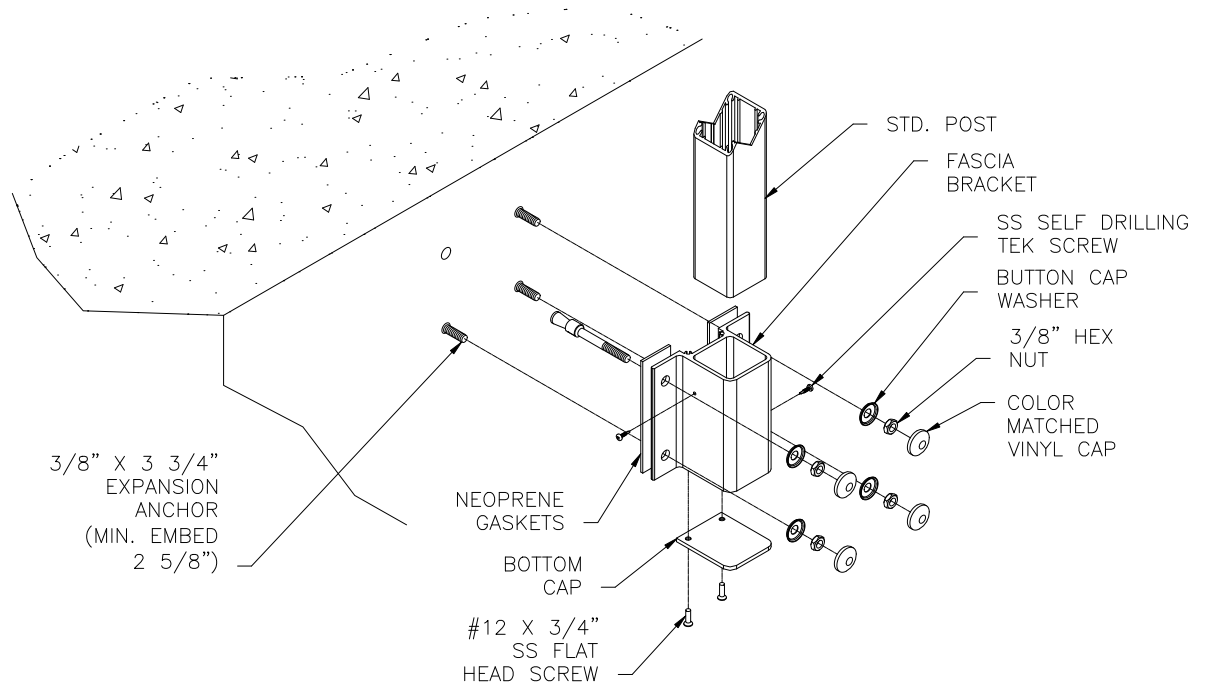
5500 SE ALEXANDER ST. HILLSBORO OR. 97123
PH. 503-356-0959 FAX 503-356-8478



FASCIA MOUNT
SCALE: 3



FASCIA MOUNT
WOOD OPTION SCALE: 3



FASCIA MOUNTING DETAIL