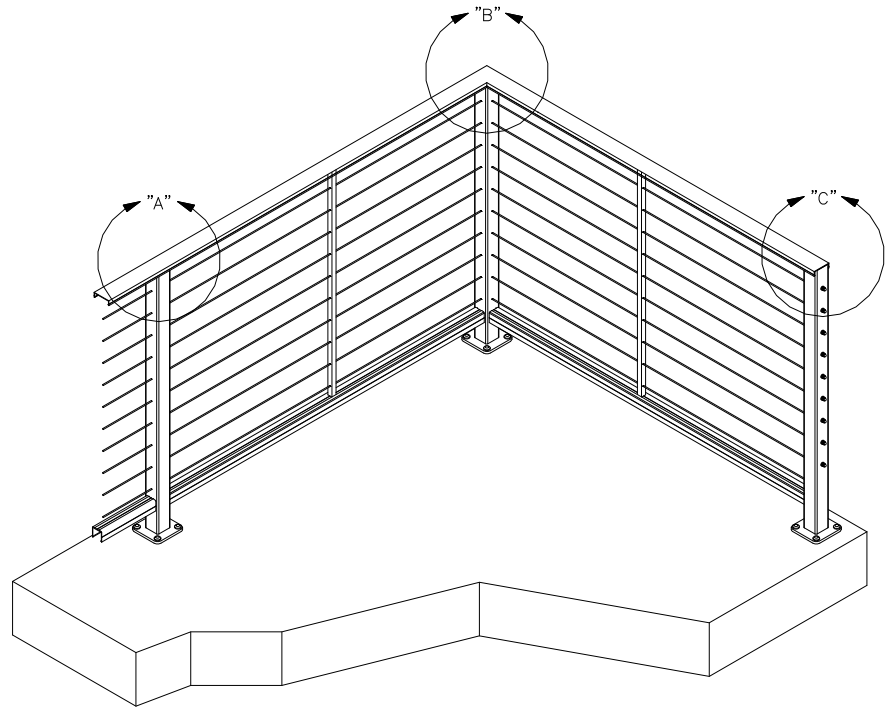




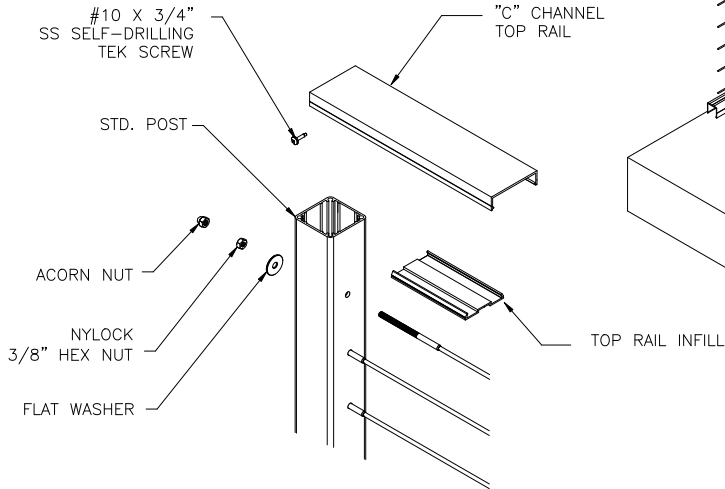
WORLD CLASS ARCHITECTURAL PRODUCTS

**HANSEN**  
ARCHITECTURAL  
SYSTEMS

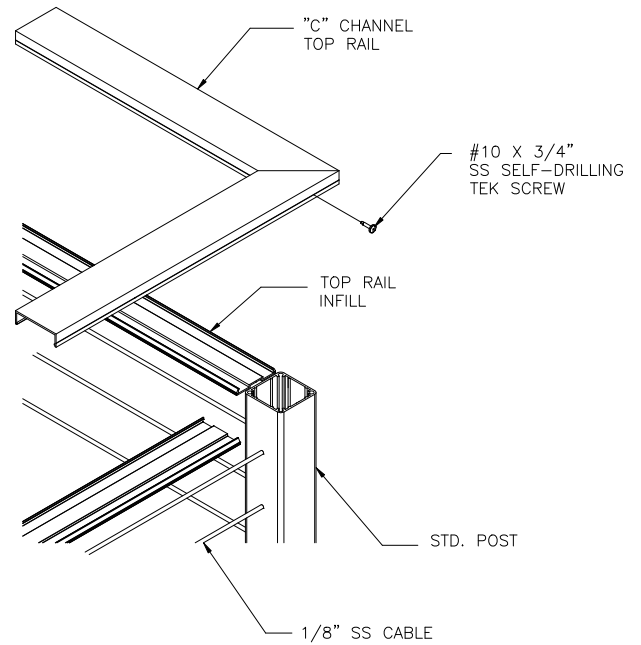
5500 SE ALEXANDER ST. HILLSBORO OR. 97123  
PH. 503-356-0959 FAX 503-356-8478



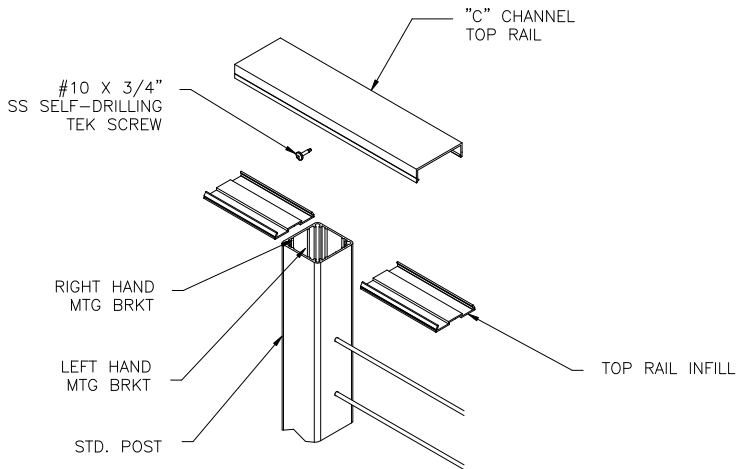
TYPICAL ISOMETRIC  
NTS



C END CONDITION DETAIL  
SCALE: 2.5



B TYP. CORNER CONN.  
SCALE: 2.5



A TYP. TOP RAIL CONNECTION  
SCALE: 2.5