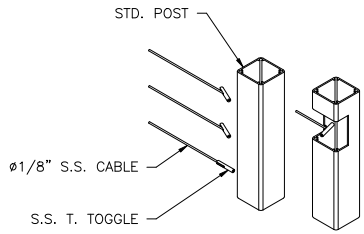




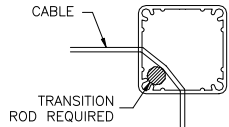
WORLD CLASS ARCHITECTURAL PRODUCTS

**HANSEN**  
ARCHITECTURAL  
SYSTEMS

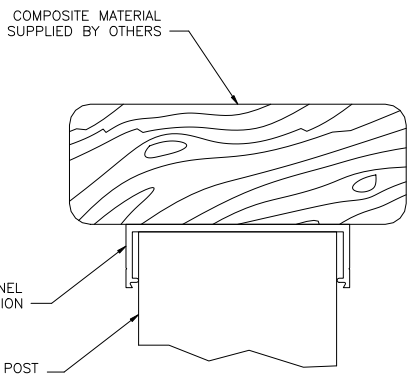
5500 SE ALEXANDER ST. HILLSBORO OR. 97123  
PH. 503-356-0959 FAX 503-356-8478



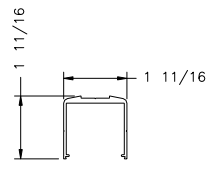
END COND. TOGGLE DETAIL  
SCALE: 2



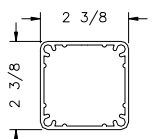
CORNER DETAIL  
SCALE: 6



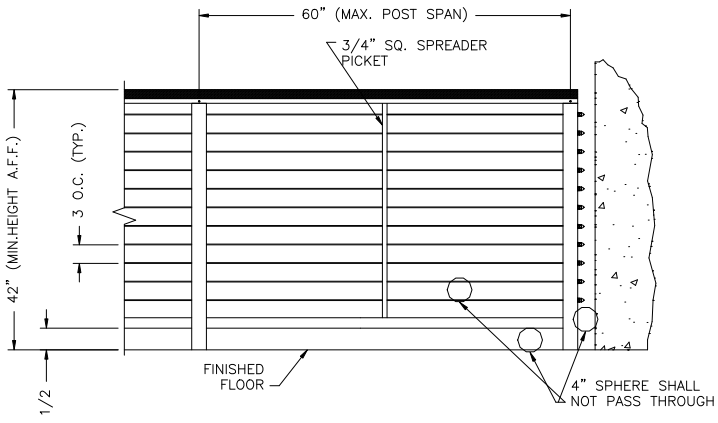
TOP RAIL DETAIL



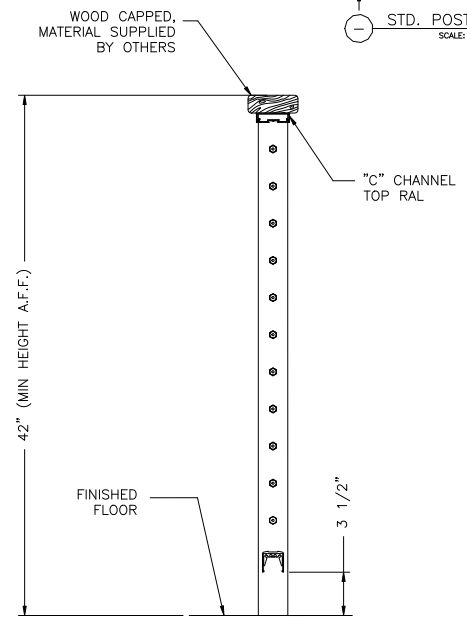
BOTTOM RAIL  
SCALE: 6



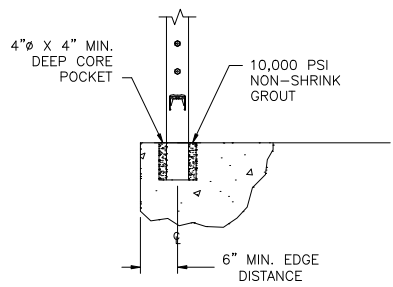
STD. POST  
SCALE: 6



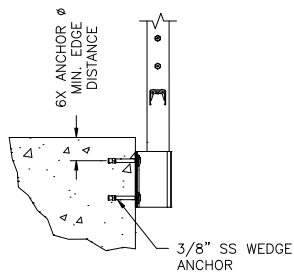
TYPICAL ELEVATION  
SCALE: FULL



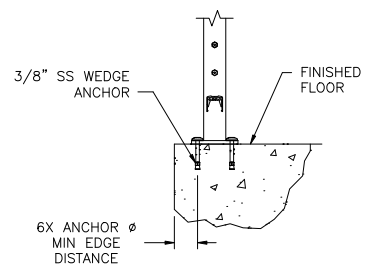
TYPICAL SECTION  
SCALE: 2



CORE MOUNT  
SCALE: 1.5



FASCIA MOUNT  
SCALE: 1.5



SURFACE MOUNT  
SCALE: 1.5