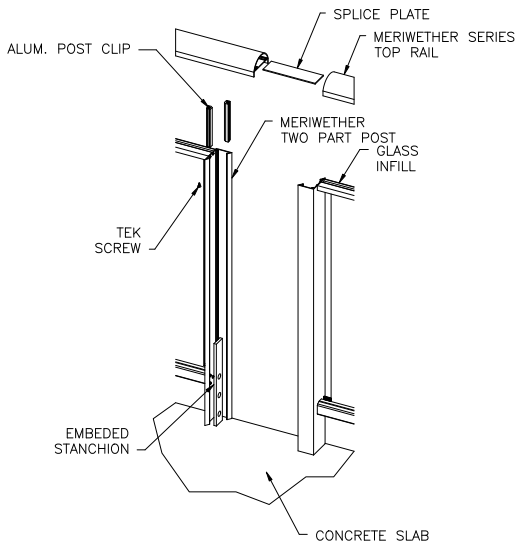




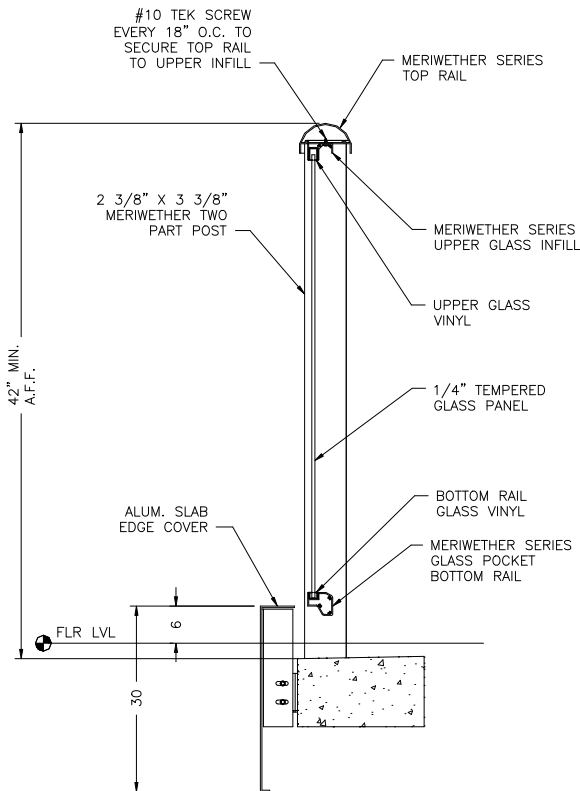
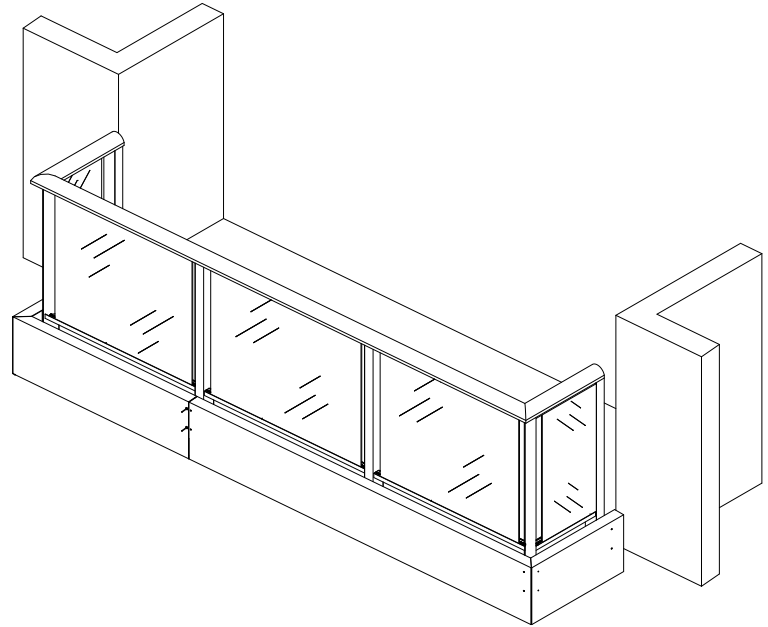
WORLD CLASS ARCHITECTURAL PRODUCTS

HANSEN
ARCHITECTURAL
SYSTEMS

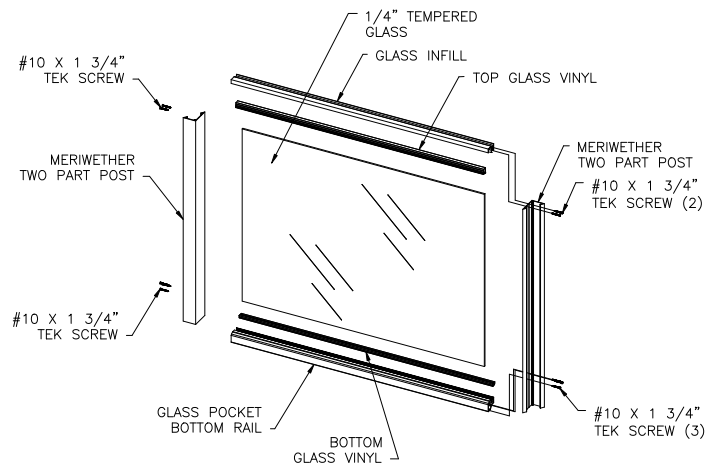
5500 SE ALEXANDER ST. HILLSBORO OR. 97123
PH. 503-356-0959 FAX 503-356-8478



IN-LINE CONNECTION DETAIL
FULL



TYPICAL SECTION
SCALE: 2



RAILING PANEL ASSEMBLY
Scale: FULL

MERIWETHER RAILING SYSTEM
www.aluminumrailing.com