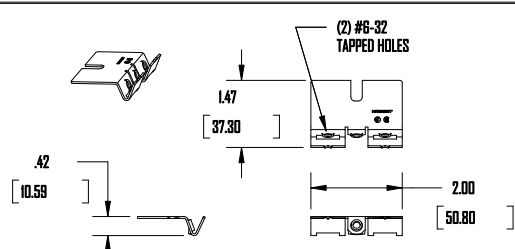


M-10406

1

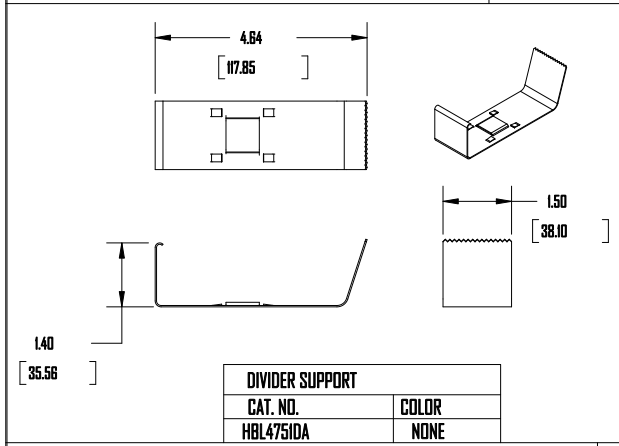
**DIVIDER**  
CAT. NO. HBL4750DBY



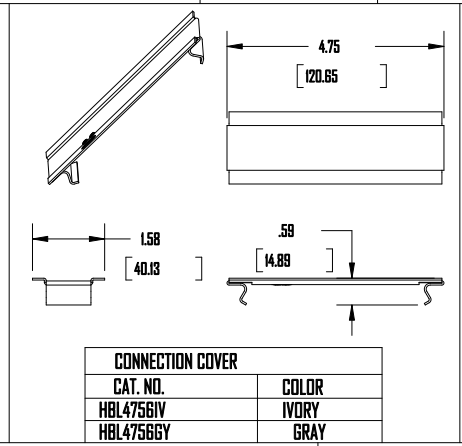
**COUPLING**  
CAT. NO. HBL4751AC

LIST OF PARTS		
DESCRIPTION	MATERIAL	FINISH
DIVIDER	STEEL	GALVANIZED
COUPLING	STEEL	GALVANIZED
DIVIDER SUPPORT	STEEL	PAINTED
CONNECTION COVER	STEEL	PAINTED
WIRECLIP	STEEL	GALVANIZED
DIVIDER CLIP	STEEL	GALVANIZED
BLANK END FITTING	STEEL	PAINTED

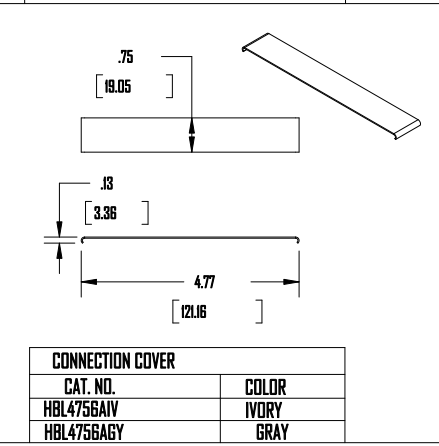
DIMENSION SHEET FOR CAT. NO. SEE TABLE



DIVIDER SUPPORT	
CAT. NO.	COLOR
HBL4751DA	NONE



CONNECTION COVER	
CAT. NO.	COLOR
HBL4756IV	IVORY
HBL4756GY	GRAY

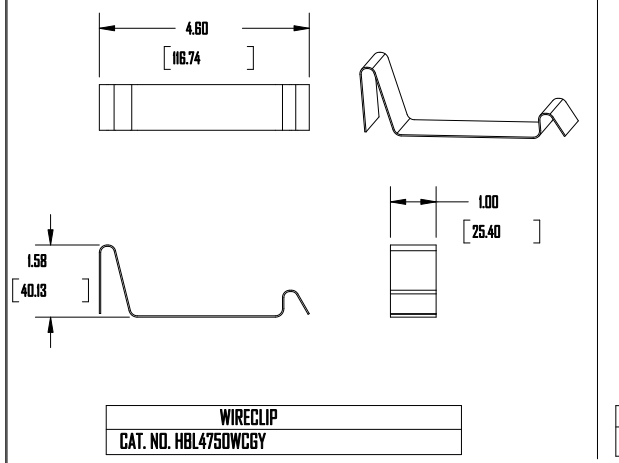


CONNECTION COVER	
CAT. NO.	COLOR
HBL4756AIV	IVORY
HBL4756AGY	GRAY

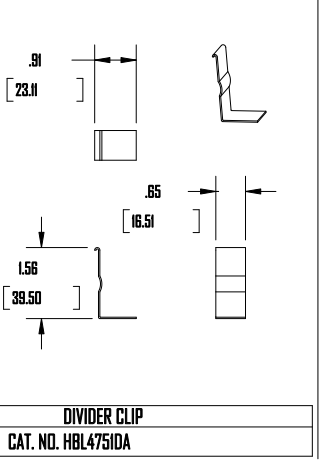
REWORK

NON-REWORK

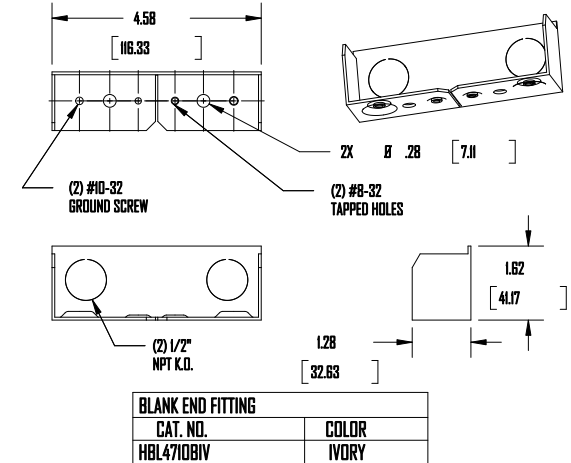
R



WIRECLIP	
CAT. NO.	COLOR
HBL4750WCBY	



DIVIDER CLIP	
CAT. NO.	COLOR
HBL4751DA	



BLANK END FITTING	
CAT. NO.	COLOR
HBL4710BIV	IVORY
HBL4710BGY	GRAY

REV	RELEASED PER DCH 10554	SRE	11/15/06
SYM	REVISIONS	APP	DATE

THE DESIGN AND DIMENSIONS OF THE PRODUCT SHOWN ON THIS DRAWING ARE SUBJECT TO CHANGE WITHOUT NOTICE

TITLE  
**RACEWAY-MISC.  
HBL4750 SERIES**

TOLERANCES UNLESS OTHERWISE SPECIFIED	WIRING DEVICE-KELEMS HUBBELL INCORPORATED BRIDGEPORT, CT			
	DR. BY	SRE	APP. BY	SRE
FRACTIONS ± 1/64				
DECIMALS ± .005				
ANGLES ± 2 °				
	TR. BY	SCALE	1:1	
	CHK'D BY	SRE	DATE	11/15/06

M-10406

1

CODE 74545

NOTE: ALL DIMENSION IN INCHES AND (MM)