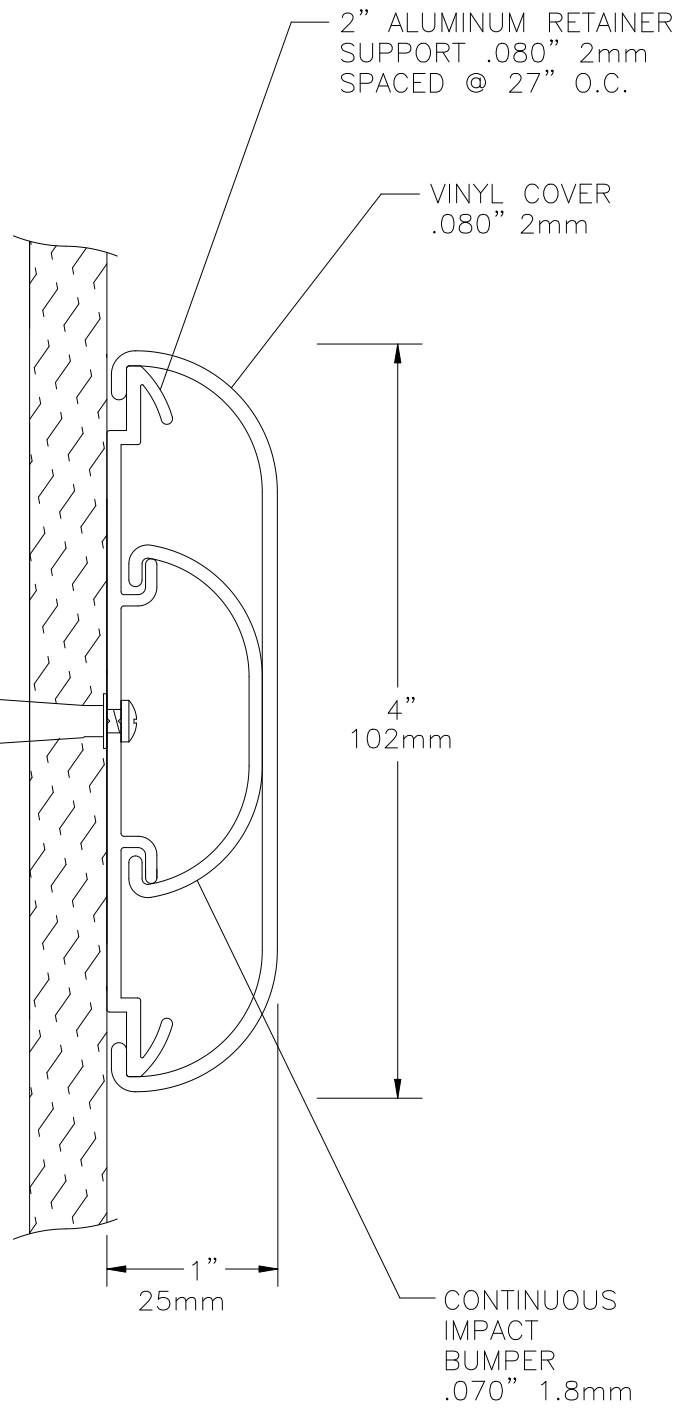


#10 x 1-3/4"
SHEET METAL
SCREW WITH
ALLIGATOR
ANCHOR



DATE: NOVEMBER 8, 2002

DRAWN BY: JAD

DRAWING NO.: 1400-WG

1400i Wall Guard

INPRO CORPORATION.
Interior and Exterior Architectural Products
S80 W18766 Apollo Drive
Muskego, WI 53150 USA