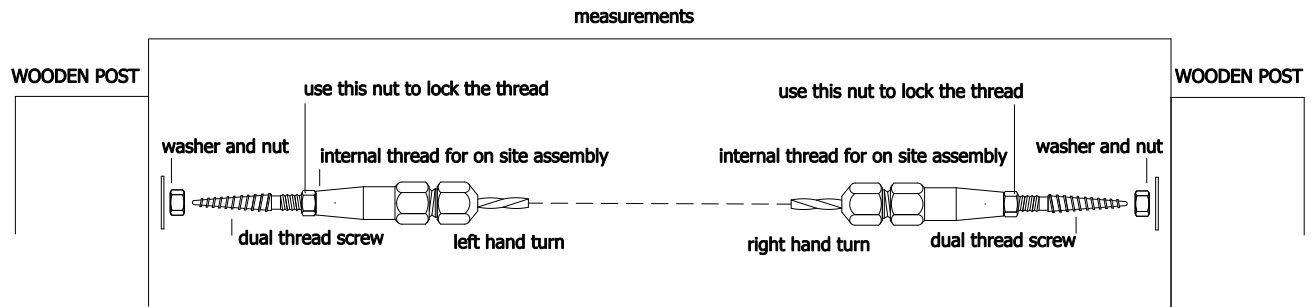


Jakob, Inc.

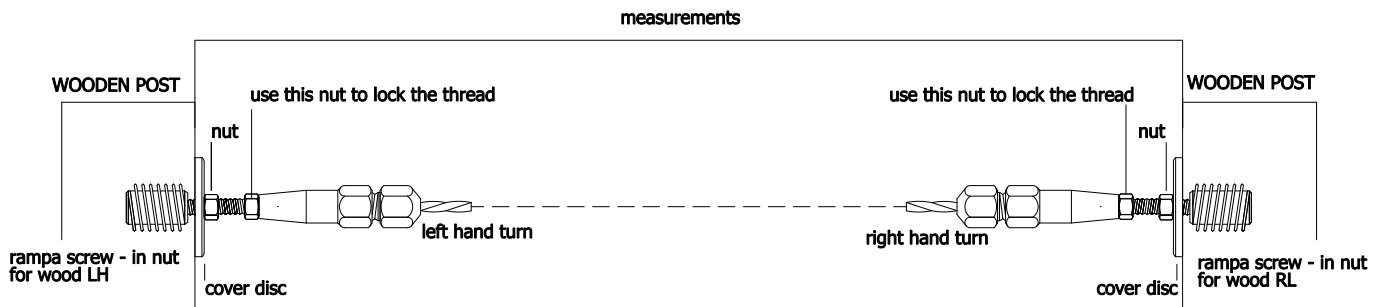
955 NW 17th Street, Suite B
Delray Beach, Florida 33445
Telephone: 561-3306502
Fax: 561-330-6508

TYPE A	Wood Post	Internal threads On site assembly
--------	-----------	--------------------------------------

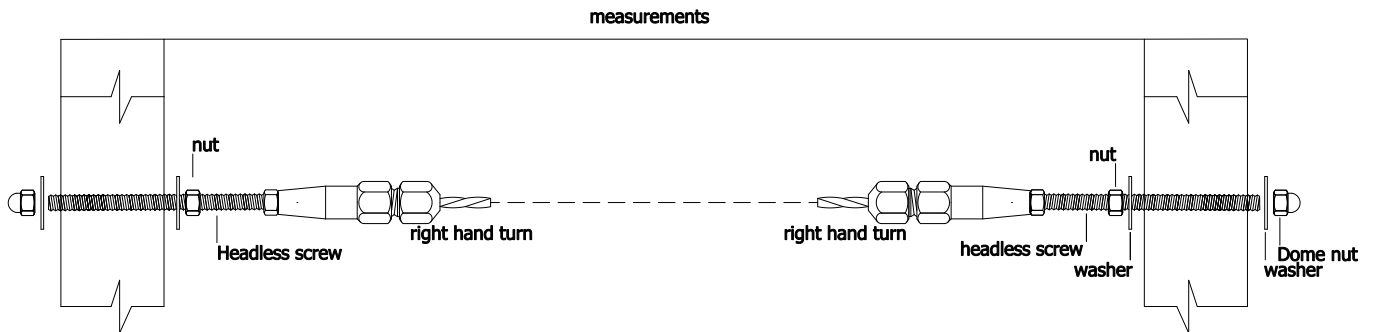
ASSEMBLY FOR HORIZONTAL RUNS



ASSEMBLY 1



ASSEMBLY 2



ASSEMBLY 3