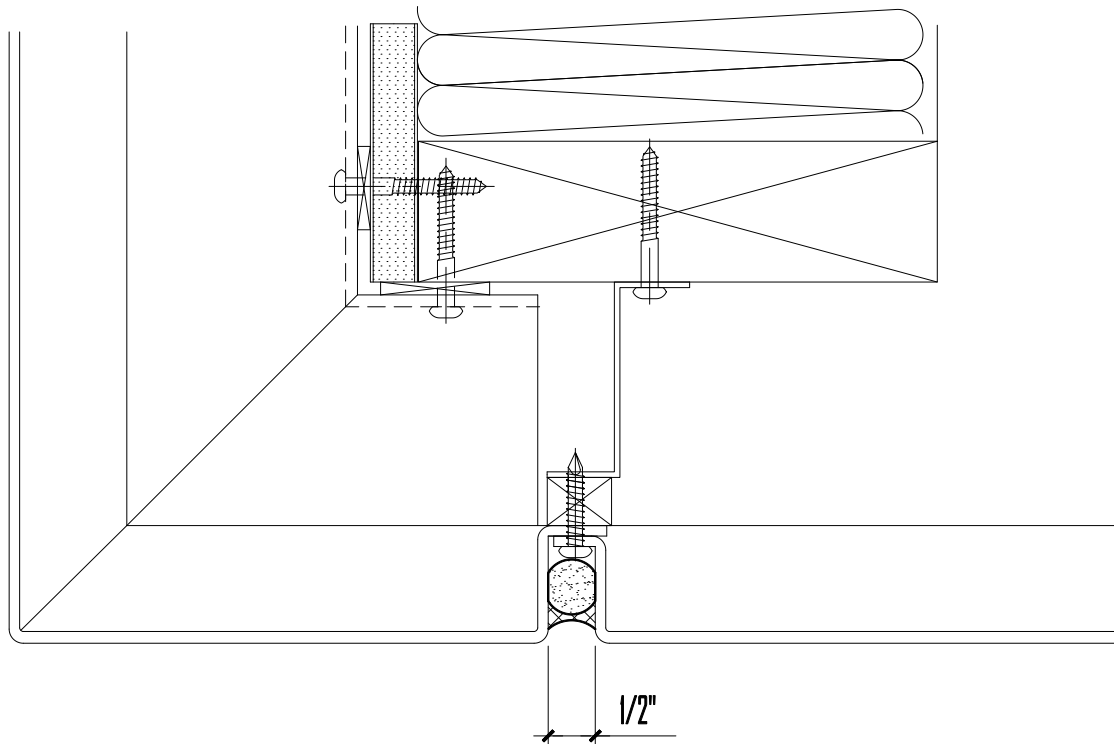


8. WINDOW HEAD



9. SOFFIT