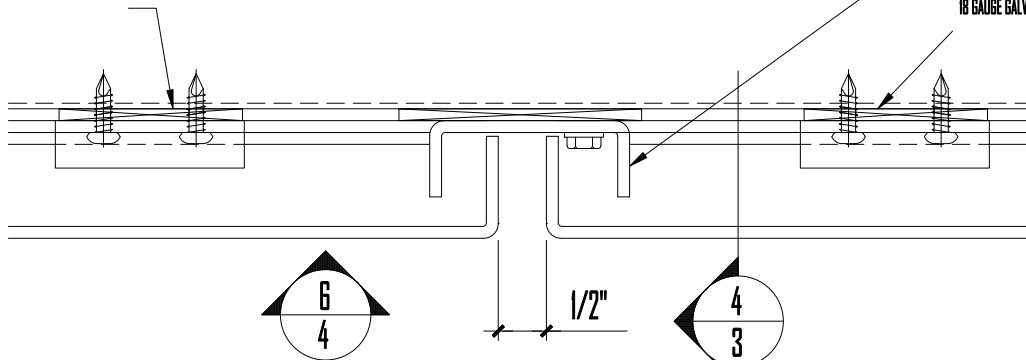


(1)-PANEL CLIP AT 12" O/C ATTACHED WITH (2)-#10 X 5/8" SELF DRILLING PAN HEAD SCREWS

BREAK FORMED ALUMINUM GIRT WITH FINISH TO MATCH EXTERIOR PANELS

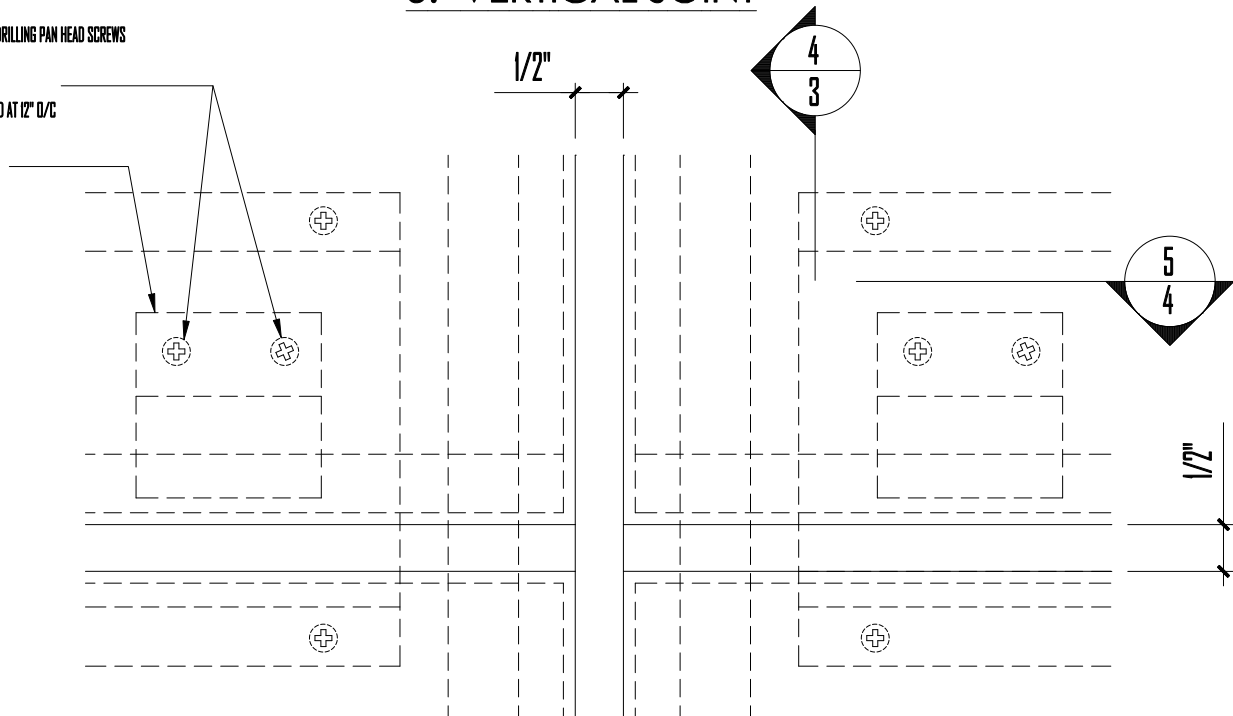
18 GAUGE GALVANIZED STEEL GIRTS AT EACH HORIZONTAL JOINT



5. VERTICAL JOINT

(2)-#10 X 5/8" SELF DRILLING PAN HEAD SCREWS PER CLIP

(1)-PANEL CLIP SPACED AT 12" O/C



6. PART ELEVATION

KANALCO LIMITED

345 Lake Road
 Bowmanville, Ontario, Canada L1C 4P8
 Tel: 800-268-8139 Fax: 905-623-3218

TITLE

**VERTICAL JOINT & ELEVATION
 ALUMINUM RAINSCREEN CLADDING**

**PAGE
 04**