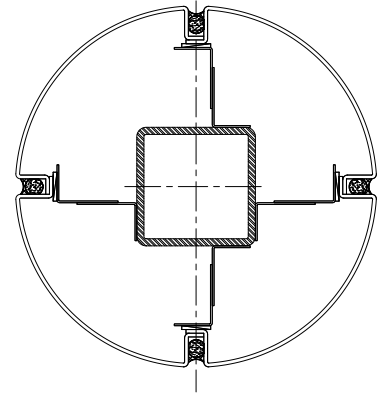


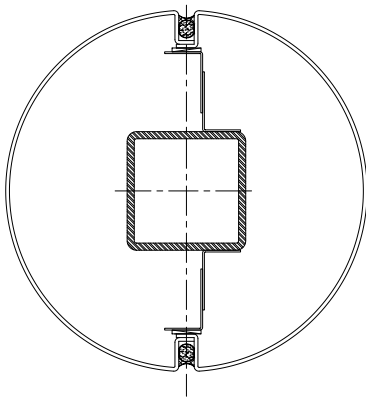
1. PARTIAL ELEVATION

ALUMINUM COLUMN COVERS ARE AVAILABLE WITH KYNAR OR ANODIZED FINISHES.
 STAINLESS STEEL COLUMNS WITH #4 BRUSHED, BLEND S, OR MIRROR FINISH AVAILABLE.

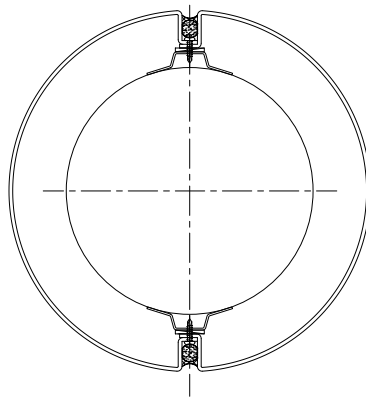
TYPICAL PANEL DEPTH IS 1 1/4" WITH 1/2" WIDE JOINTS



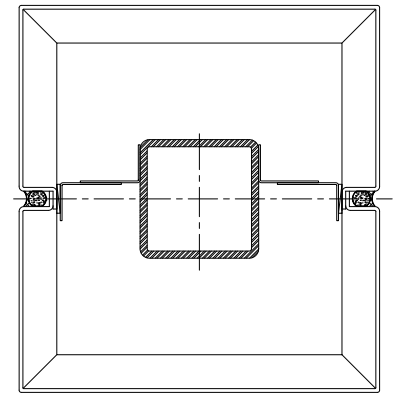
2. QUARTER CIRCLE



3. HALF CIRCLE



4. CIRCULAR COLUMN



5. SQUARE COLUMN

KANALCO LIMITED

345 Lake Road, Bowmanville, Ontario, Canada L1C 4P8
 Tel: 800-268-8133 Fax: 888-779-9914
 e-mail: sales@kanalco.com www.kanalco.com

TITLE:

**COLUMN COVER
 ALUMINUM PLATE SYSTEMS**

**PAGE
 01**