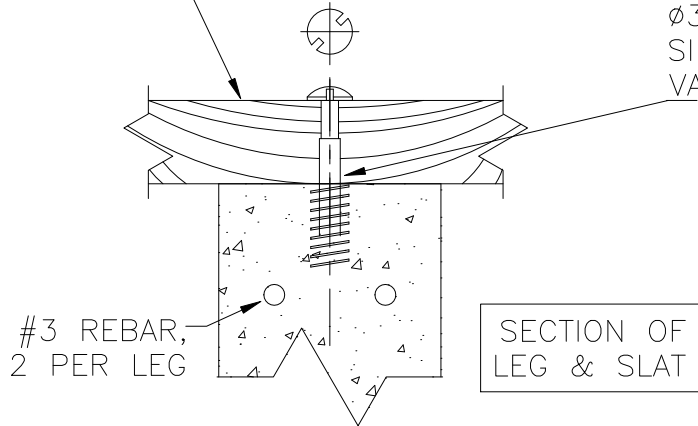


LENGTH OF BENCH	CL TO CL OF LEGS
8 FEET	3 FEET 6 INCHES
7 FEET	6 FEET
6 FEET	5 FEET
5 FEET	4 FEET
4 FEET	3 FEET

NOTE: BENCHES OF LESS THAN 8 FEET IN LENGTH HAVE TWO LEGS



STAINLESS STEEL SCREW ANCHOR & 18.8 STAINLESS STEEL  $\phi 3/8$ " SCREW WITH SIDE SLOT TRUSS TYPE VANDAL PROOF HEADS.

**KENNETH LYNCH & SONS**  
 114 WILLENBROCK RD.  
 OXFORD, CT 06478  
 203-264-2831  
 FAX 203-264-2833

<b>#3238 BENCH - TYPE "B"</b>		
Scale: 3"=1'-0"	Date: 6/9/06	Drawn: S.L.A.
STANDARD CONCRETE BENCH		
MAT'L: CAST STONE	#3238 FX	