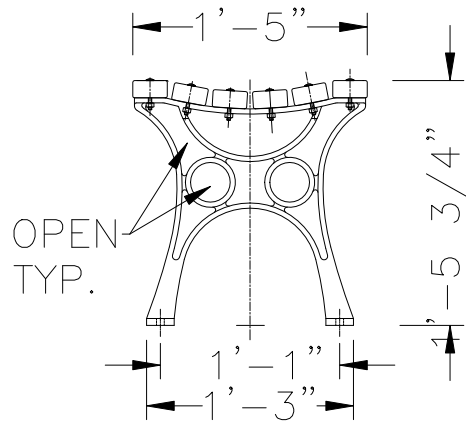
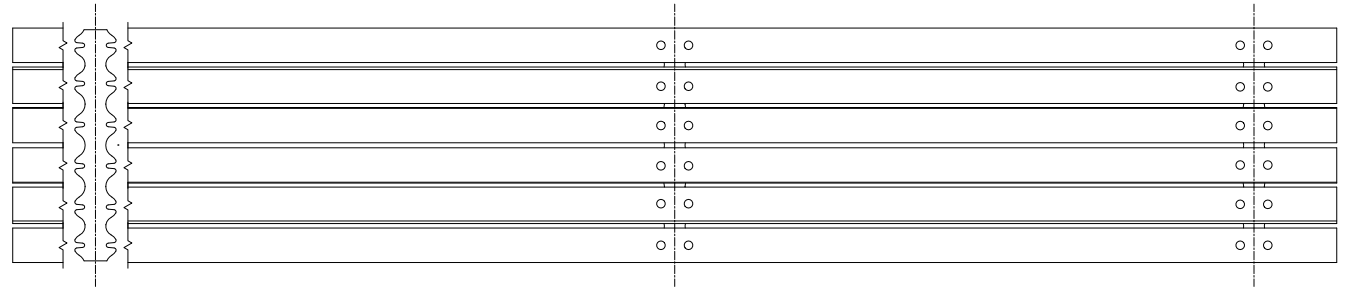
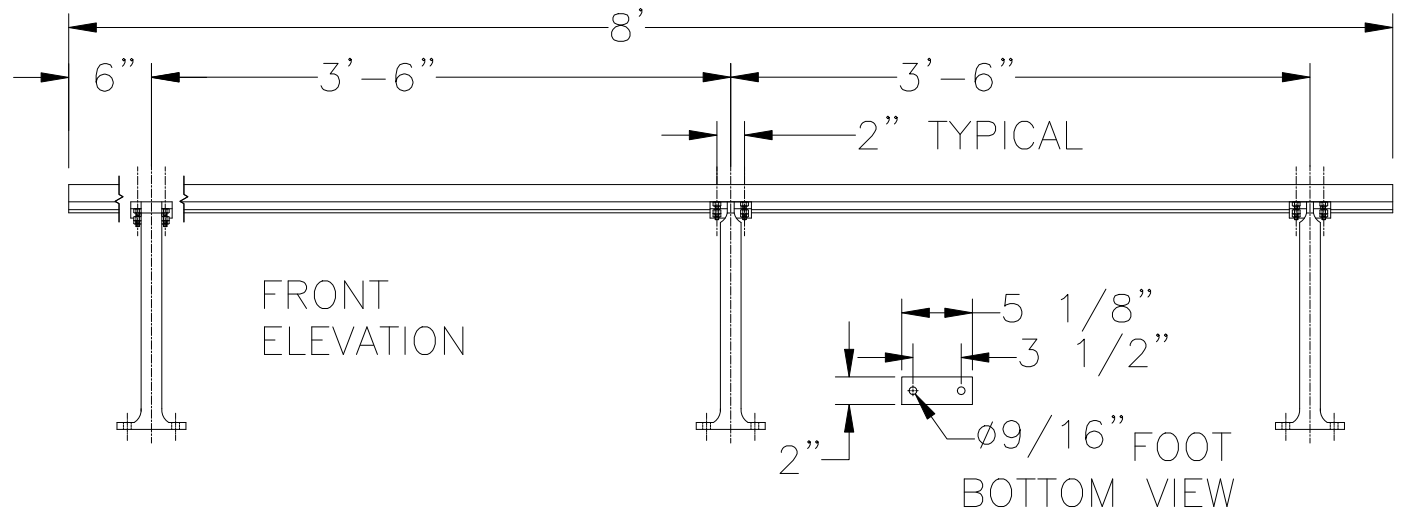


PLAN VIEW



SIDE VIEW



KENNETH LYNCH & SONS

114 WILLENBROCK ROAD OXFORD, CT 06478
PHONE 203-264-2831 FAX 203-264-2833

MATERIALS:

BENCH LEGS: CAST DUCTILE IRON
WOOD SLATS: IPE (BETHABARA)/TABEUBIA
SMALL FASTENERS (CARRIAGE BOLTS, NUTS AND WASHERS) STAINLESS STEEL

3339B WASHINGTON SQUARE BACKLESS BENCH

Scale: FAX

Date 6/2/05

Drawn S.L.A.

COLOR:

MAT: SEE NOTES

#3339B FAX