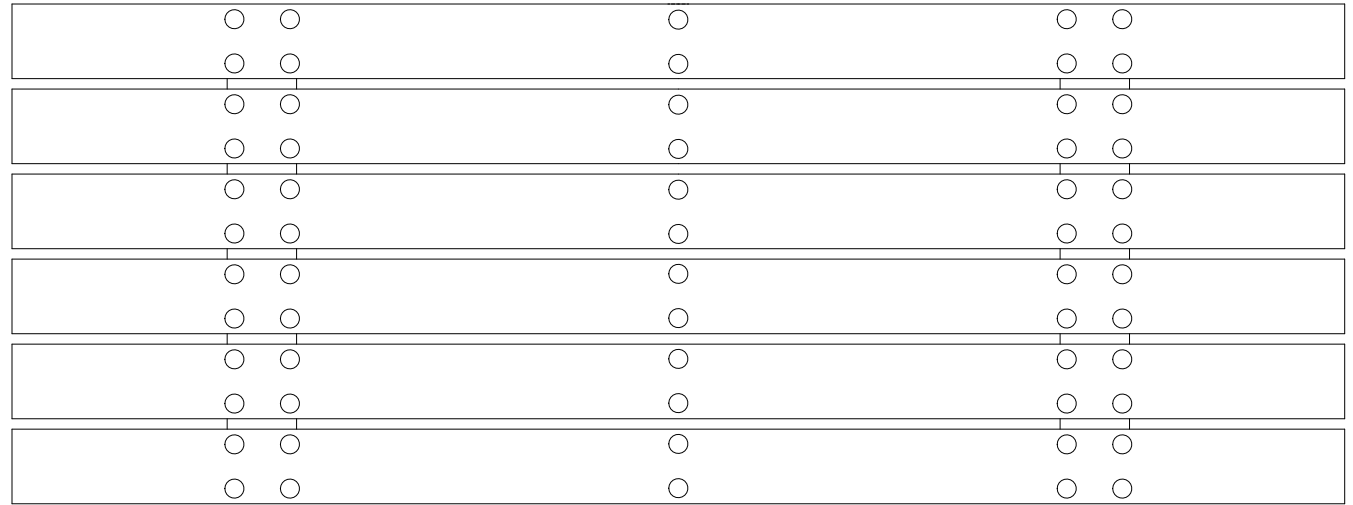


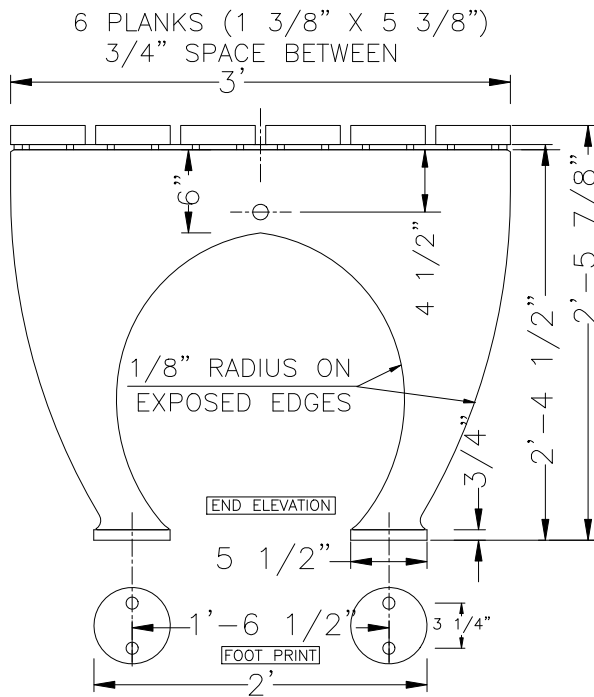
ELEVATOR BOLT:  
3/8-16 ST. STL.

**MATERIALS:**

- LEGS: CAST DUCTILE IRON
- WOOD SLATS: IPE/TABEBUIA
- TIE ROD: 1' DIA H.R.S.  
WITH 1"-8 ROLLED THREADS
- BRACE: HOT ROLLED STEEL

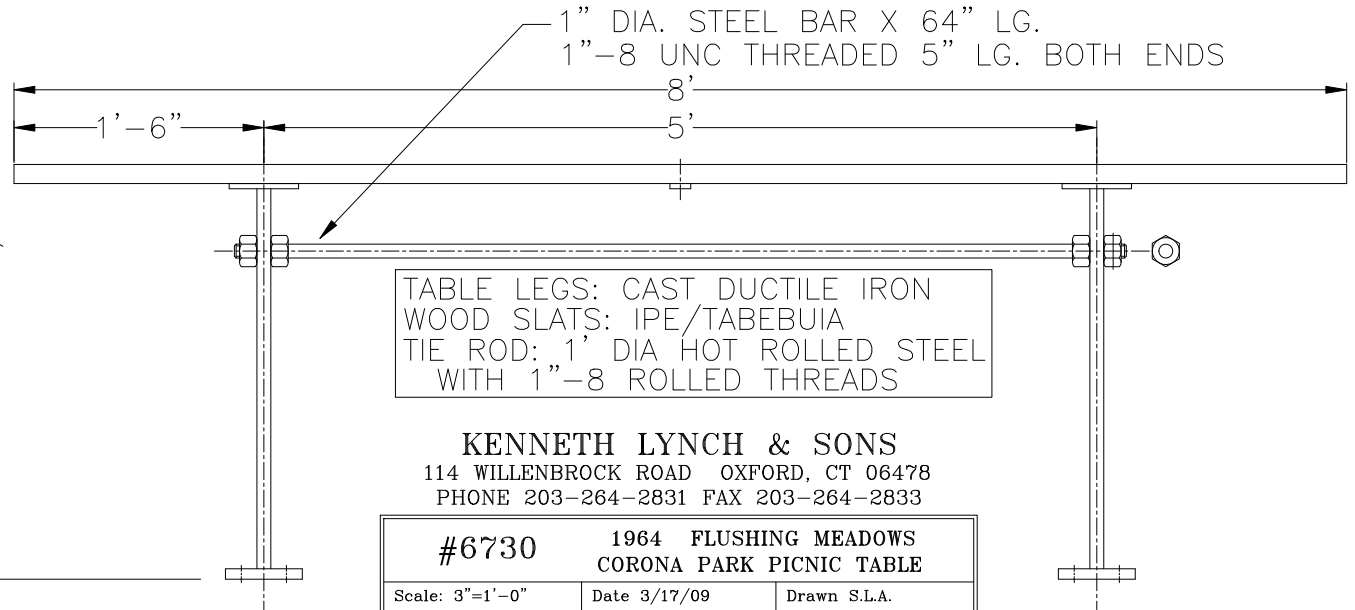


PLAN VIEW



END ELEVATION

FOOT PRINT



FRONT ELEVATION

TABLE LEGS: CAST DUCTILE IRON  
WOOD SLATS: IPE/TABEBUIA  
TIE ROD: 1' DIA HOT ROLLED STEEL  
WITH 1"-8 ROLLED THREADS

**KENNETH LYNCH & SONS**

114 WILLENBROCK ROAD OXFORD, CT 06478  
PHONE 203-264-2831 FAX 203-264-2833

**#6730**

1964 FLUSHING MEADOWS  
CORONA PARK PICNIC TABLE

Scale: 3"=1'-0"

Date 3/17/09

Drawn S.L.A.

COLOR:

MAT'L: SEE NOTES

#6730-FX