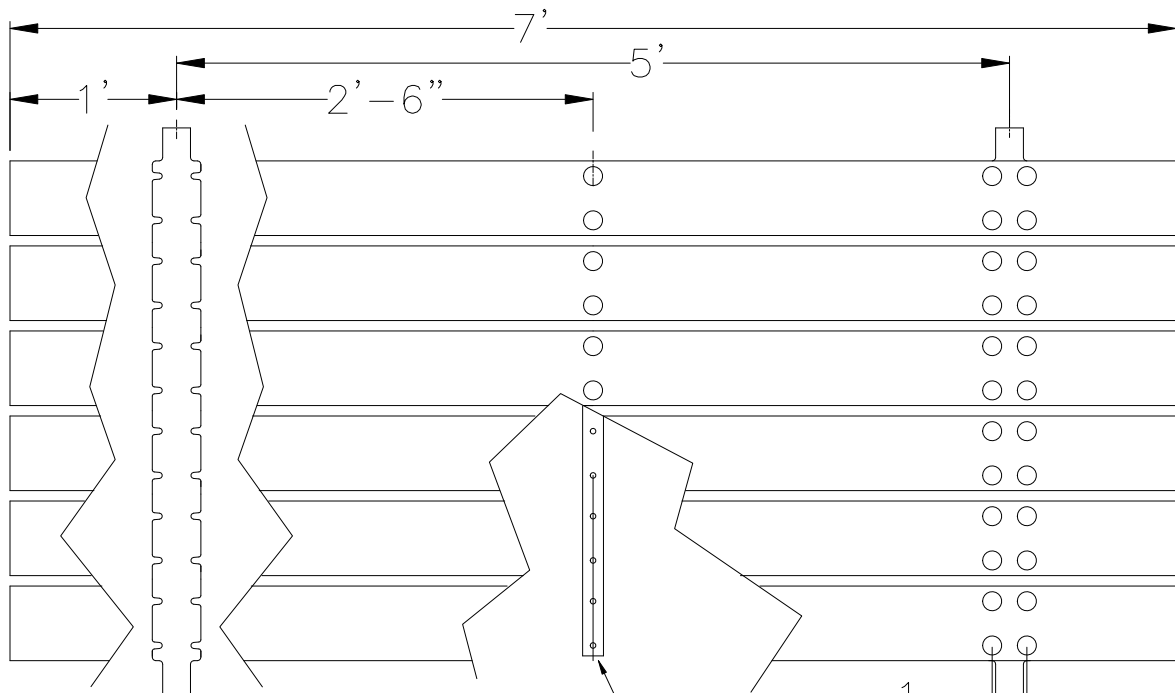
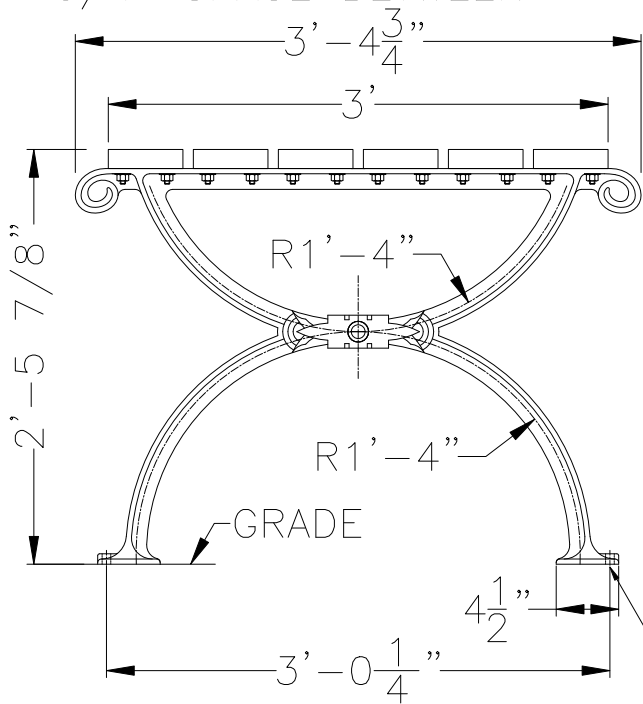


ELEVATOR BOLT:
3/8-16 ST. STL.

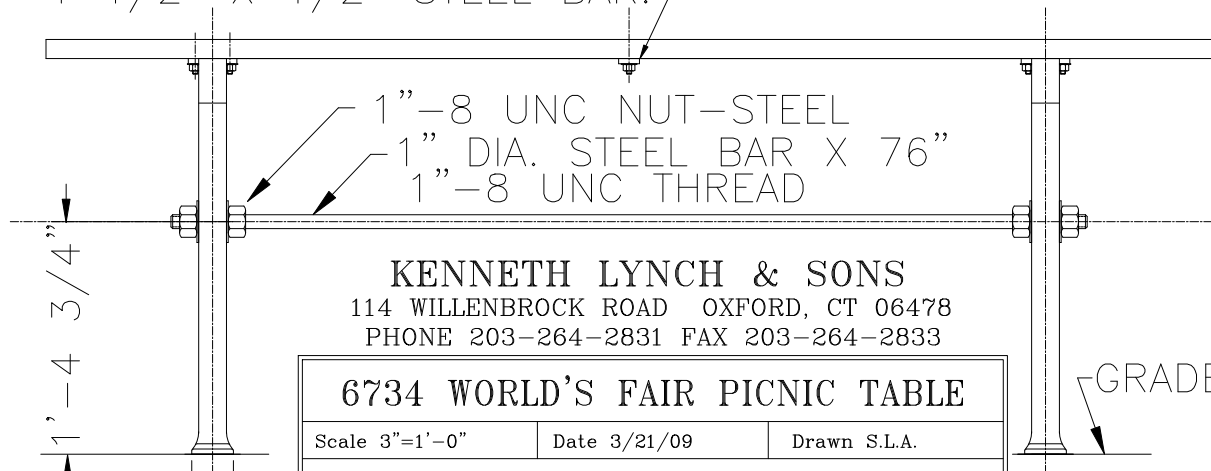
MATERIALS:

LEGS: CAST DUCTILE IRON
WOOD SLATS: IPE/TABEUBUIA
TIE ROD: 1' DIA H.R.S.
WITH 1"-8 ROLLED THREADS
BRACE: HOT ROLLED STEEL

6 PLANKS (1 3/8" X 5 3/8")
3/4" SPACE BETWEEN



BRACE: 1 PIECE.
1 1/2" X 1/2" STEEL BAR.



KENNETH LYNCH & SONS
114 WILLENBROCK ROAD OXFORD, CT 06478
PHONE 203-264-2831 FAX 203-264-2833

6734 WORLD'S FAIR PICNIC TABLE		
Scale 3"=1'-0"	Date 3/21/09	Drawn S.L.A.
7' TABLE		
MAT: SEE NOTES	#6734-7-FX	

GRADE