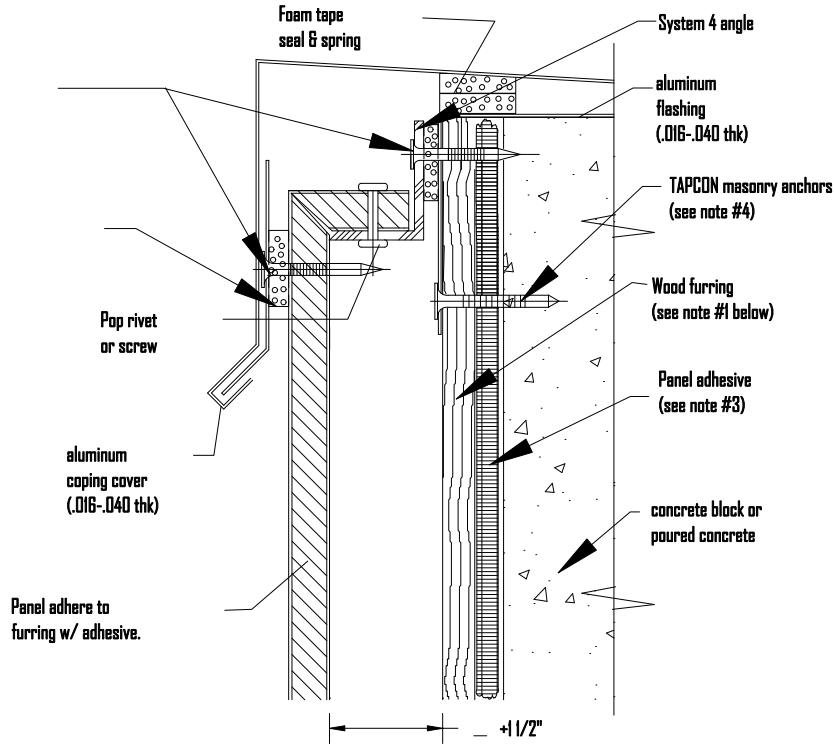


#8 x 1" screws  
@ 4" from panel  
edge & 10" o.c.  
(see note #2 for  
screw type)

1/4" Gaska Tape  
2" long, every  
12" o.c. for venting

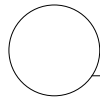


NOTE#1: Wood furring strips  
to be Southern Pine PT  
1"x3" nominal @ 16" o.c.

NOTE#2: Screw types  
ITW Buildex screws, stainless steel  
Wood screws, hot dipped galv.  
Sheet metal screws, stainless steel.  
Screw head to be for wood or metal only.  
(see attached documentation for shear  
and pullout test results)

NOTE#3: Panel adhesive to  
be Liquid Nails, heavy duty  
construction, LN901, applied  
to furring strips, 1/2" dia.,  
3/8" thick, entire length of  
furring.

NOTE#4: Masonry Anchor type:  
Model: PF3-134 ITW Ramset Red  
Head, 3/16" x 1 3/4", with  
1 1/4" embedment @ 6" from  
top & bottom, and 12" o.c.



## TYPICAL PARAPET DETAIL

ROUT & RETURN ON BLOCK OR CONCRETE