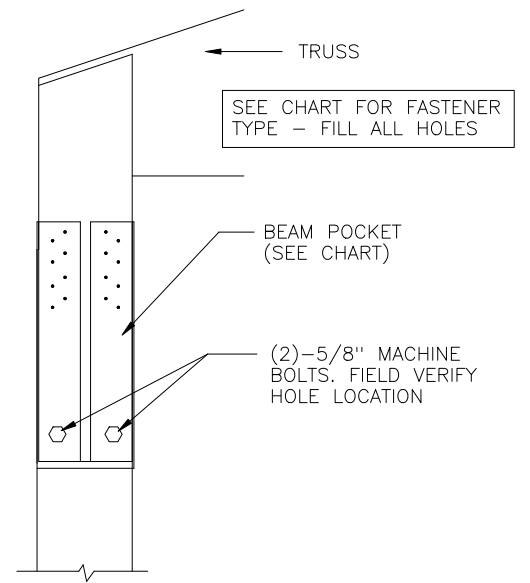
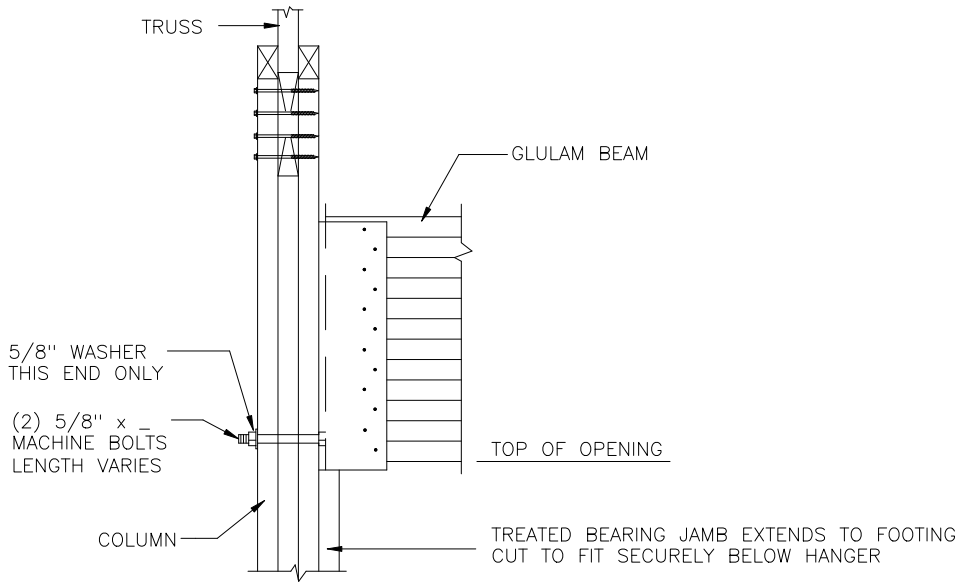
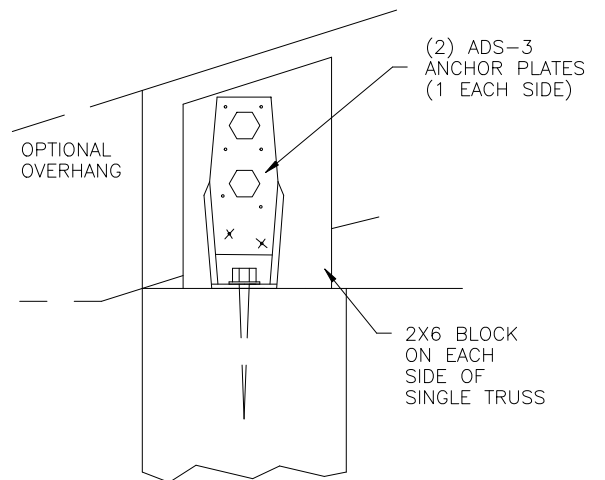
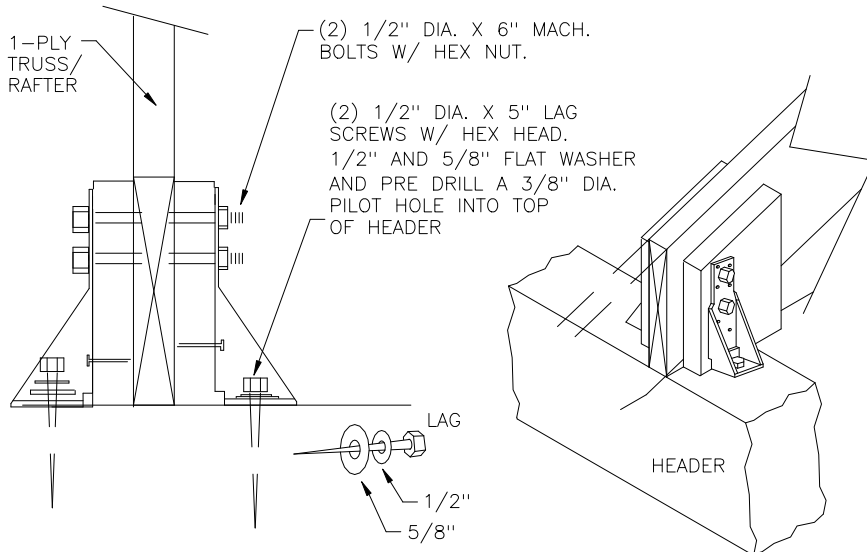


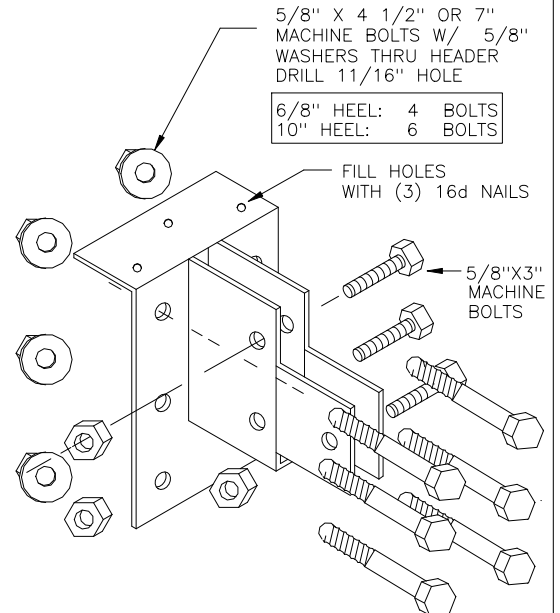
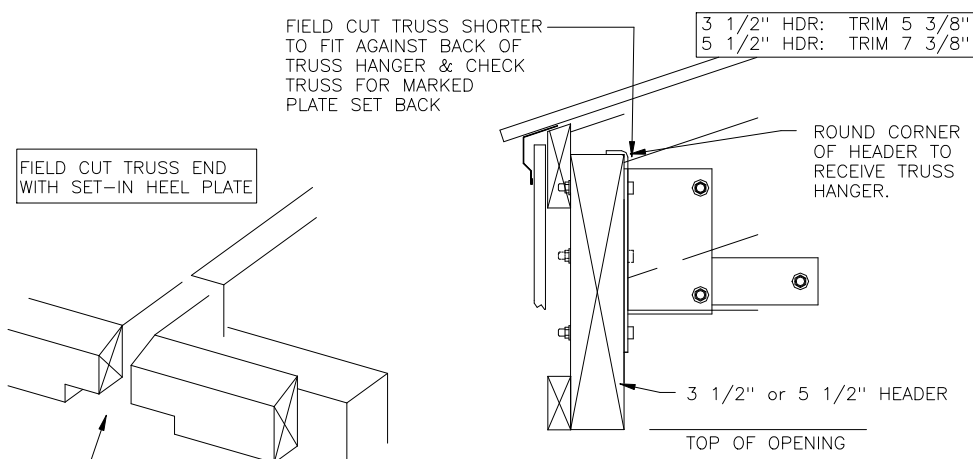
Header Connections



HEADER-JAMB COLUMN



TRUSS-HEADER



BACK MOUNT TRUSS TO MAXIMIZE OPENING HEIGHT