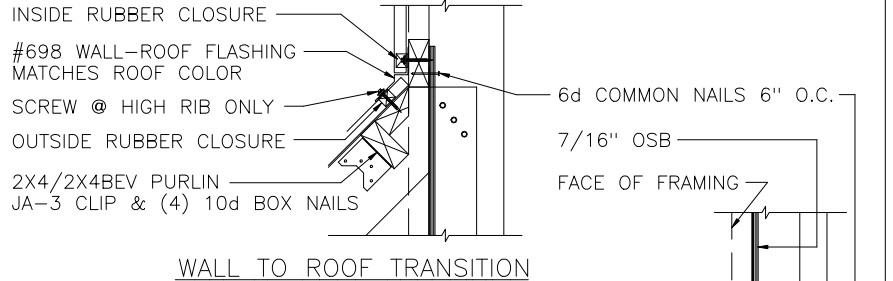
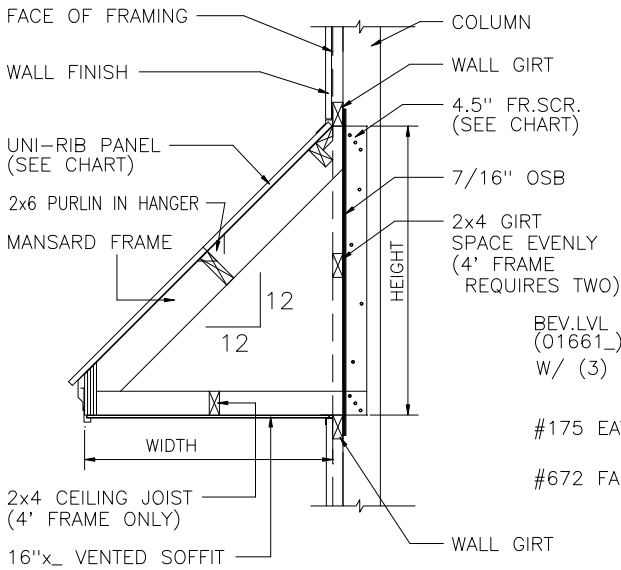
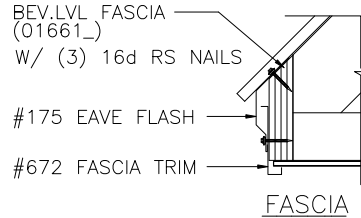


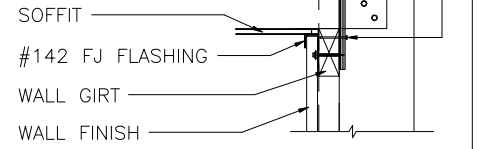
Mansard & Deep Fascia O.H.



WALL TO ROOF TRANSITION



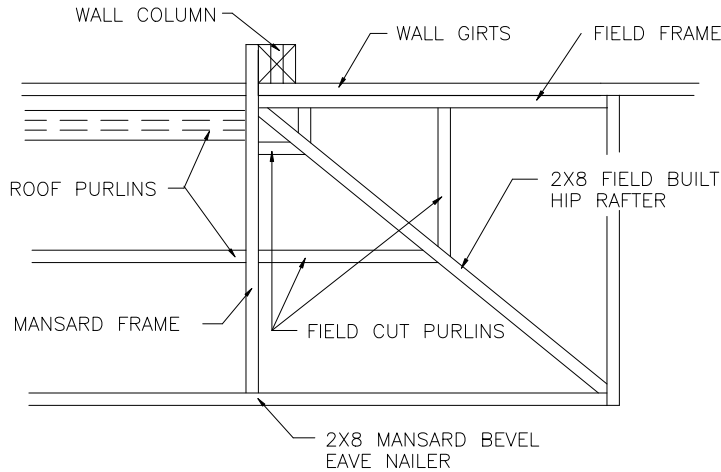
FASCIA



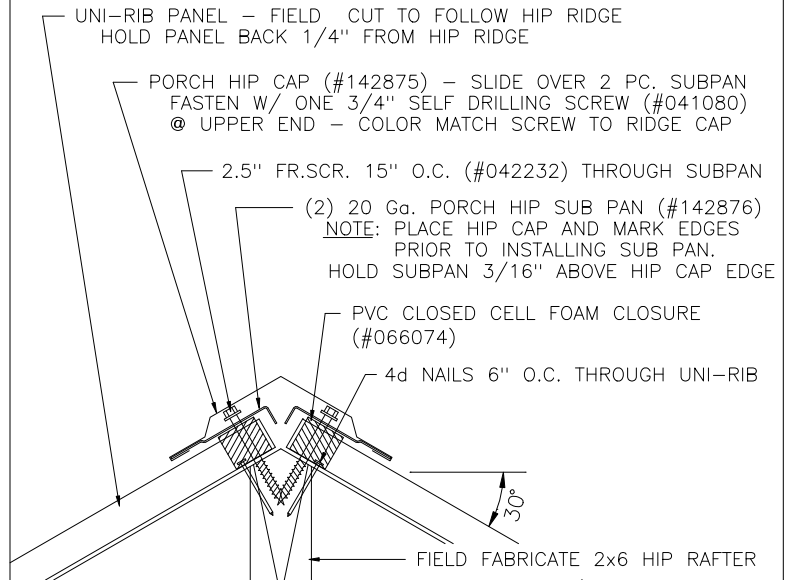
SOFFIT TO WALL TRANSITION

WIDTH	HEIGHT	FRAME	SOFFIT	UNI-RIB	4.5"FR.SCR. (042234)	
					VERTICAL	TOP/BOT.
24.5"	30.5"	672245	24"	3'-1"	0	3 / 3
36.5"	42.5"	672246	36"	4'-6"	4	3 / 3
48.5"	54.5"	672247	48"	5'-11"	6	3 / 3

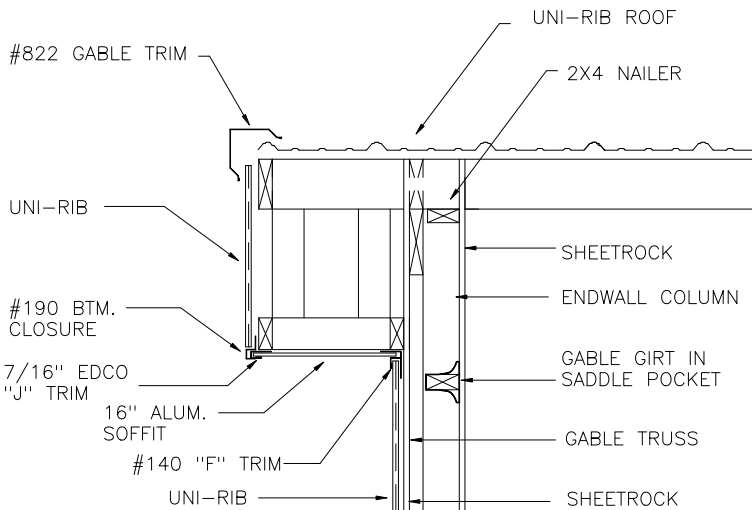
MANSARD - SECTION



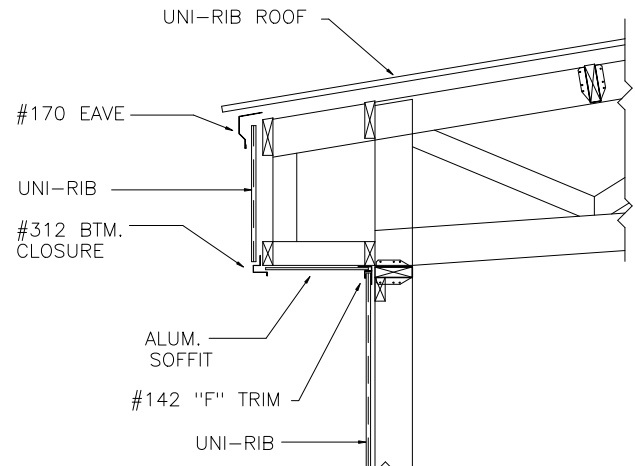
MANSARD - PLAN



MANSARD - HIP RIDGE DETAIL



DEEP FASCIA OVERHANG - GABLE



DEEP FASCIA OVERHANG - EAVE