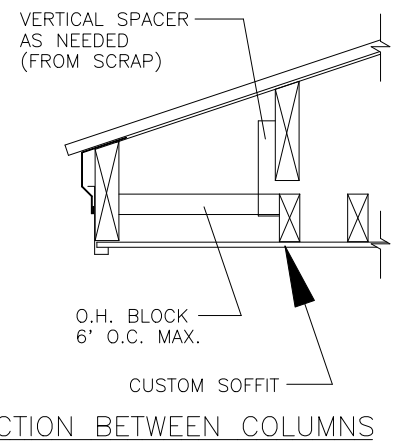
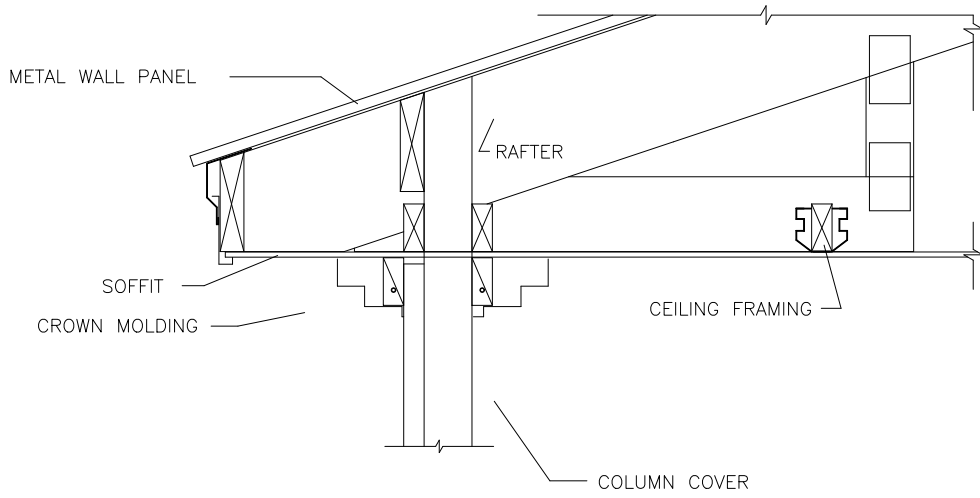


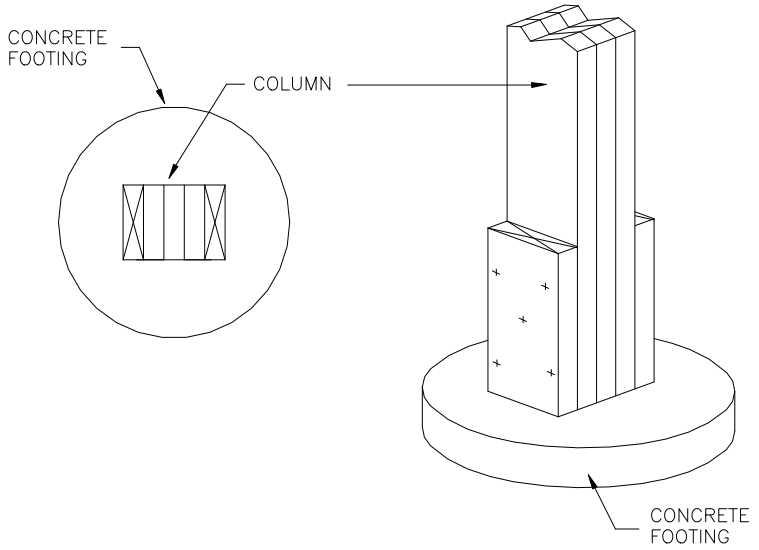
# Porch



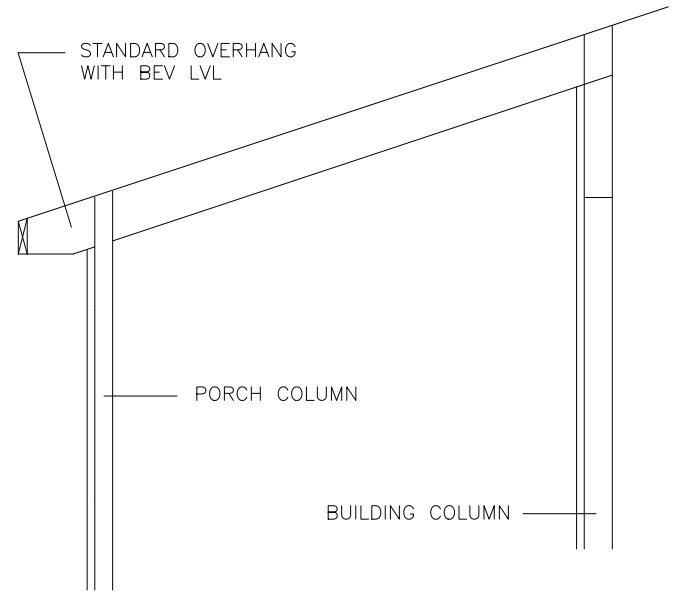
SECTION @ COLUMN

SECTION BETWEEN COLUMNS

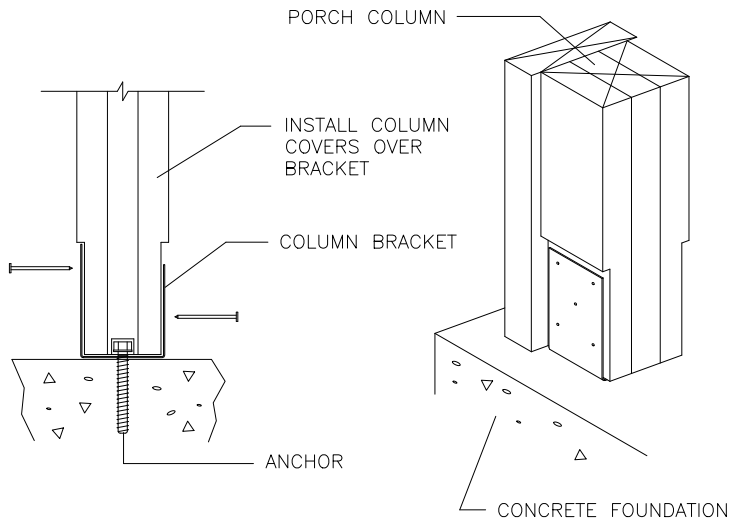
PORCH W/ CEILING



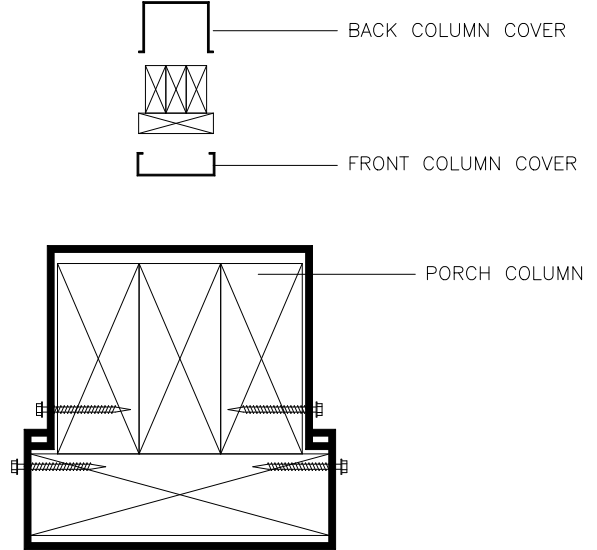
PORCH COLUMN IN THE GROUND



PORCH FRAMING



PORCH COLUMN TO CONCRETE



PORCH COLUMN COVERS