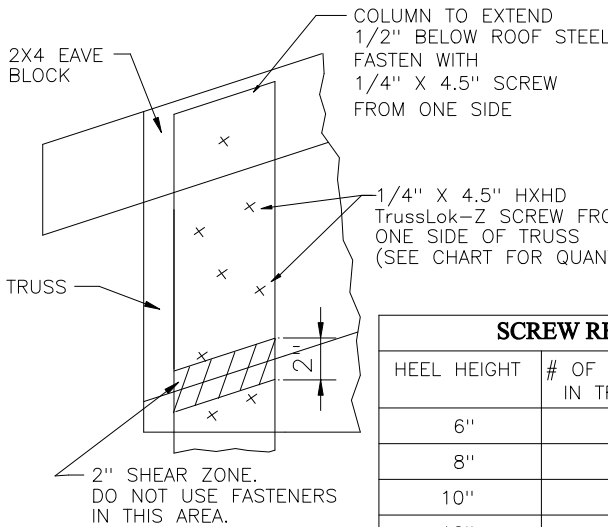


Truss to Column Connection



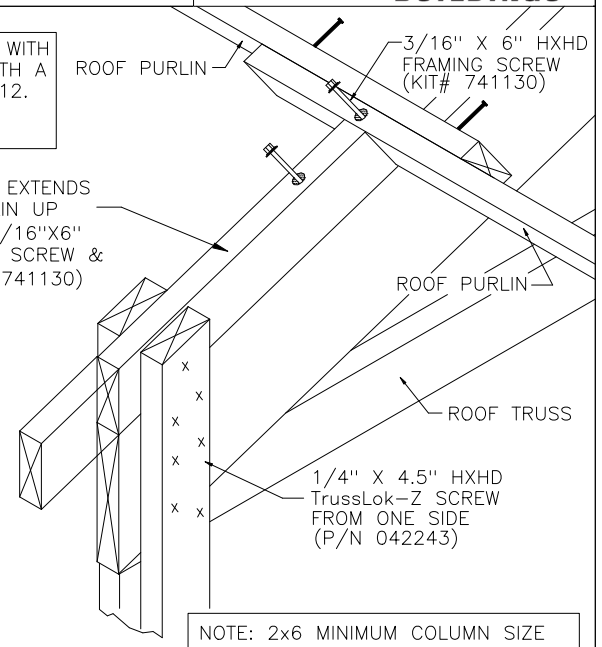
EAVE BLOCKS ONLY REQUIRED WITH OVERHANGS AND BUILDINGS WITH A ROOF PITCH GREATER THAN 4:12. COLUMN EARS ALWAYS EXTEND WITHIN 1/2" OF ROOF STEEL

COLUMN TO EXTEND 1/2" BELOW ROOF STEEL FASTEN WITH 1/4" X 4.5" SCREW FROM ONE SIDE

1/4" X 4.5" HXHD TrussLok-Z SCREW FROM ONE SIDE OF TRUSS (SEE CHART FOR QUANTITY)

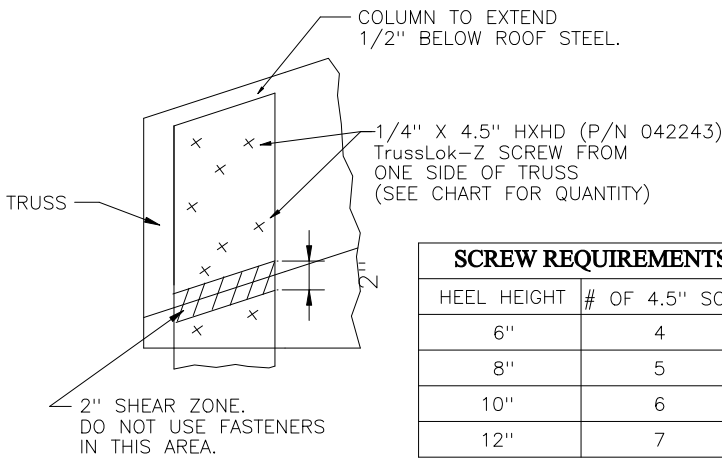
2X4 EAVE BLK EXTENDS TO FIRST PURLIN UP FASTEN WITH 3/16"X6" FRAMING WOOD SCREW & WASHER (KIT #741130)

SCREW REQUIREMENTS		
HEEL HEIGHT	# OF 4.5" SCREWS IN TRUSS HEEL	TOTAL WITH EAVE BLOCKS
6"	5	6
8"	7	8
10"	8	9
12"	9	10



TRUSS TO COLUMN - TOP MOUNT PURLINS

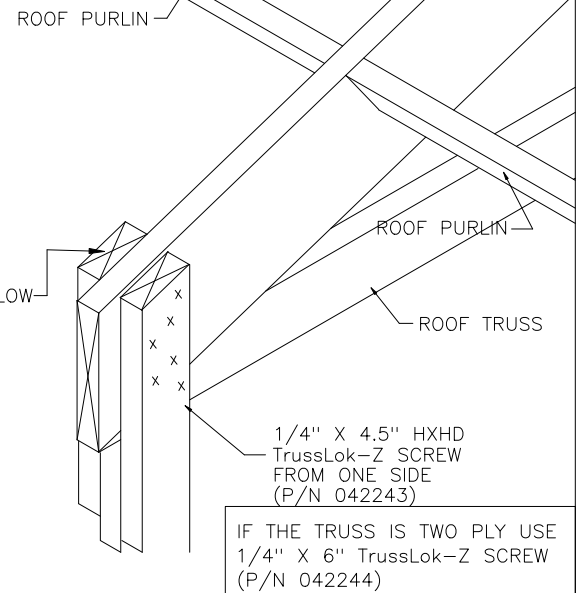
NOTE: 2x6 MINIMUM COLUMN SIZE



1/4" X 4.5" HXHD (P/N 042243) TrussLok-Z SCREW FROM ONE SIDE OF TRUSS (SEE CHART FOR QUANTITY)

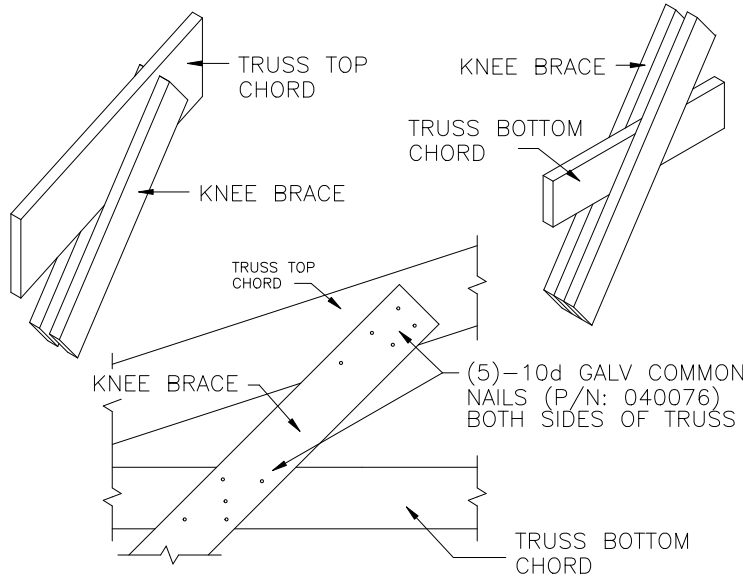
SCREW REQUIREMENTS	
HEEL HEIGHT	# OF 4.5" SCREWS
6"	4
8"	5
10"	6
12"	7

COLUMN 1/2" BELOW ROOF STEEL

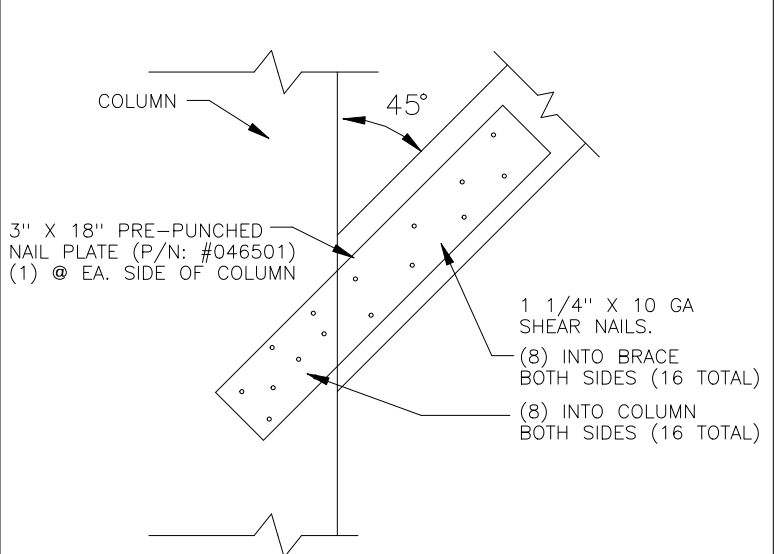


IF THE TRUSS IS TWO PLY USE 1/4" X 6" TrussLok-Z SCREW (P/N 042244)

TRUSS TO COLUMN - FLUSH MOUNT PURLINS



KNEEBRACE TO TRUSS



KNEEBRACE TO COLUMN