

All quotation drawings are preliminary only,
not to be used for installation of any kind.

STEEL & HARDWARE SHOP NOTES:

1. All structural steel tubing shall be ASTM A-500 Grade B.
2. All other steel (plates, gussets, etc.) shall be ASTM A-36.
3. All welding is to be done in accordance with latest AWS standards. All welds are to develop full strength of component parts. (E7081 Electrodes)
4. All bolts to be ASTM A-325 & threaded rod to be ASTM B-7.
5. All fabricated steel & structural tubes to be painted with a rust inhibitive Alkyd primer according to Steel Structures Painting Council (SSPC-SP2) as outlined in AISC 6.5.

ROOF MATERIAL:

Metal roof deck shall be Litchtop 24 ga Steel, 36" wide, 1 3/16" deep, Fy=80ksi

ERECTION NOTES:

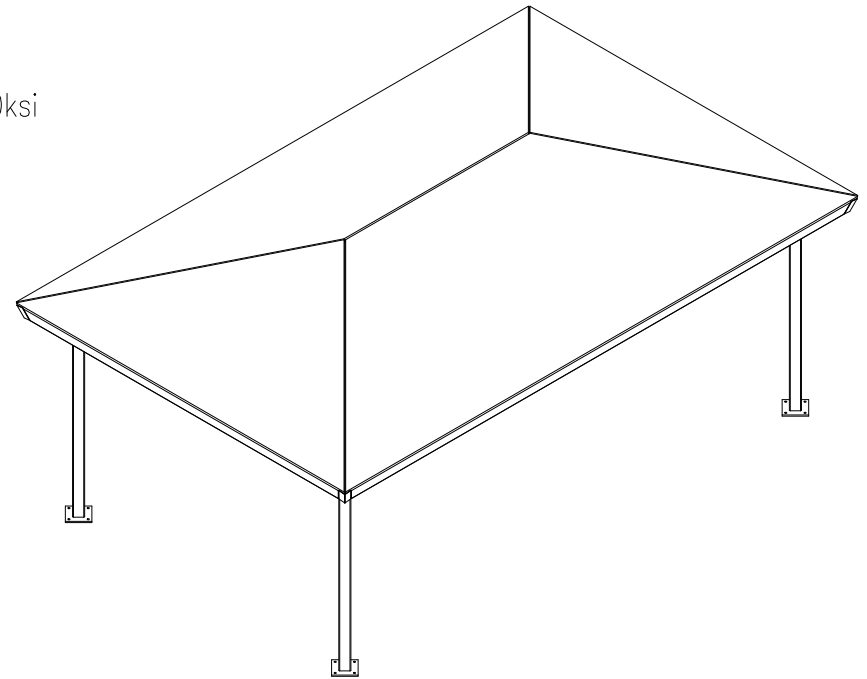
All members must be properly braced until the complete structural system has been constructed.

NOTE:

This building has been designed as a free standing, open structure. If walls are to be added, or if the building is to adjoin another structure, or if other modifications are to be made, the structure must be reengineered prior to these modifications.

THIS DOCUMENT CONTAINS PROPRIETARY INFORMATION AND IS NOT TO BE REPRODUCED WITHOUT THE WRITTEN PERMISSION FROM LITCHFIELD INDUSTRIES, INC. AND/OR IS NOT TO BE USED IN ANY MANNER DETRIMENTAL TO THE INTEREST OF LITCHFIELD INDUSTRIES, INC.

N.I.C. = NOT IN CONTRACT



Landscape

Elements

TITLE: Shop Notes

DRAWN BY: BK

DATE: 2-23-07

4 Industrial Drive
Litchfield, MI 49252



MODEL: 16' x 24' Pittsburgh Hip Shelter

Ph: 517 542 2988
Fx: 517 542 3939

SHEET: 3

QUOTE #:

