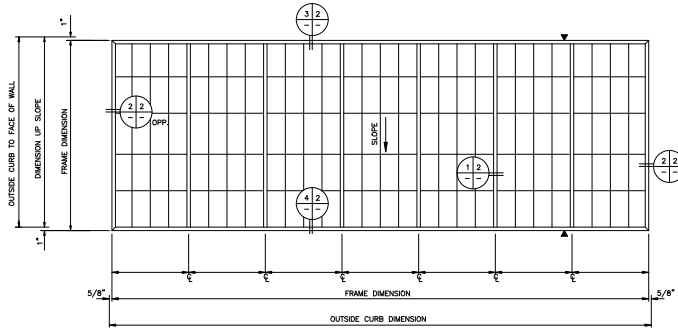




SHEET 1 OF 2

PLAN VIEW  
NOT TO SCALE



THERMALLY BROKEN PERIMETER FRAMING

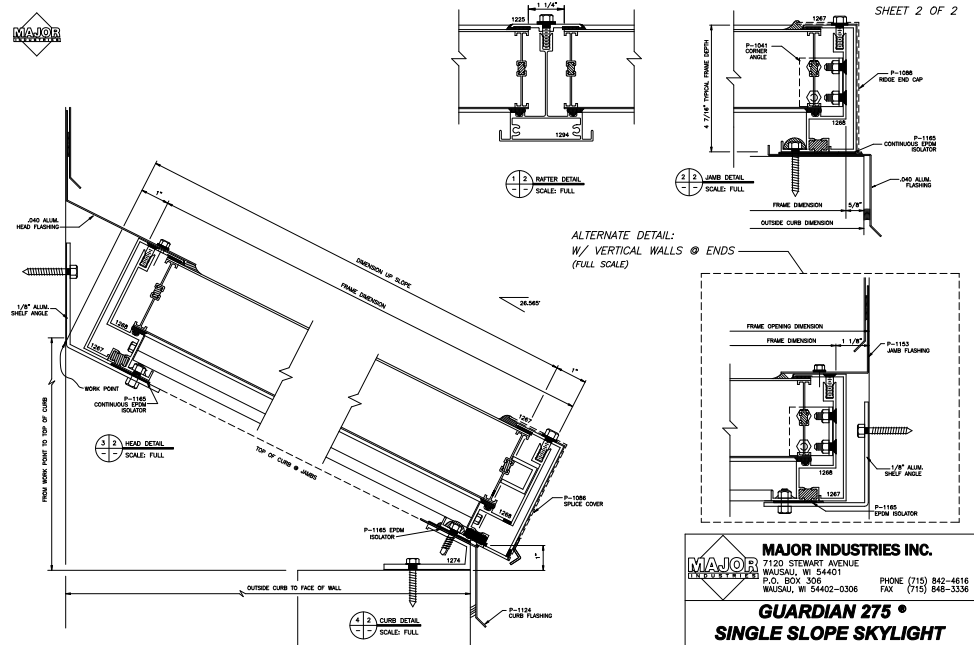
INDICATES 1/4" DIMENSIONS UNLESS OTHERWISE NOTED

**MAJOR INDUSTRIES INC.**  
 7120 STEWART AVENUE  
 WAUSAU, WI 54401  
 P.O. BOX 306  
 WAUSAU, WI 54402-0306  
 PHONE (715) 842-4616  
 FAX (715) 846-3336

**GUARDIAN 275<sup>®</sup>**  
**SINGLE SLOPE SKYLIGHT**



SHEET 2 OF 2



**MAJOR INDUSTRIES INC.**  
 7120 STEWART AVENUE  
 WAUSAU, WI 54401  
 P.O. BOX 306  
 WAUSAU, WI 54402-0306  
 PHONE (715) 842-4616  
 FAX (715) 846-3336

**GUARDIAN 275<sup>®</sup>**  
**SINGLE SLOPE SKYLIGHT**