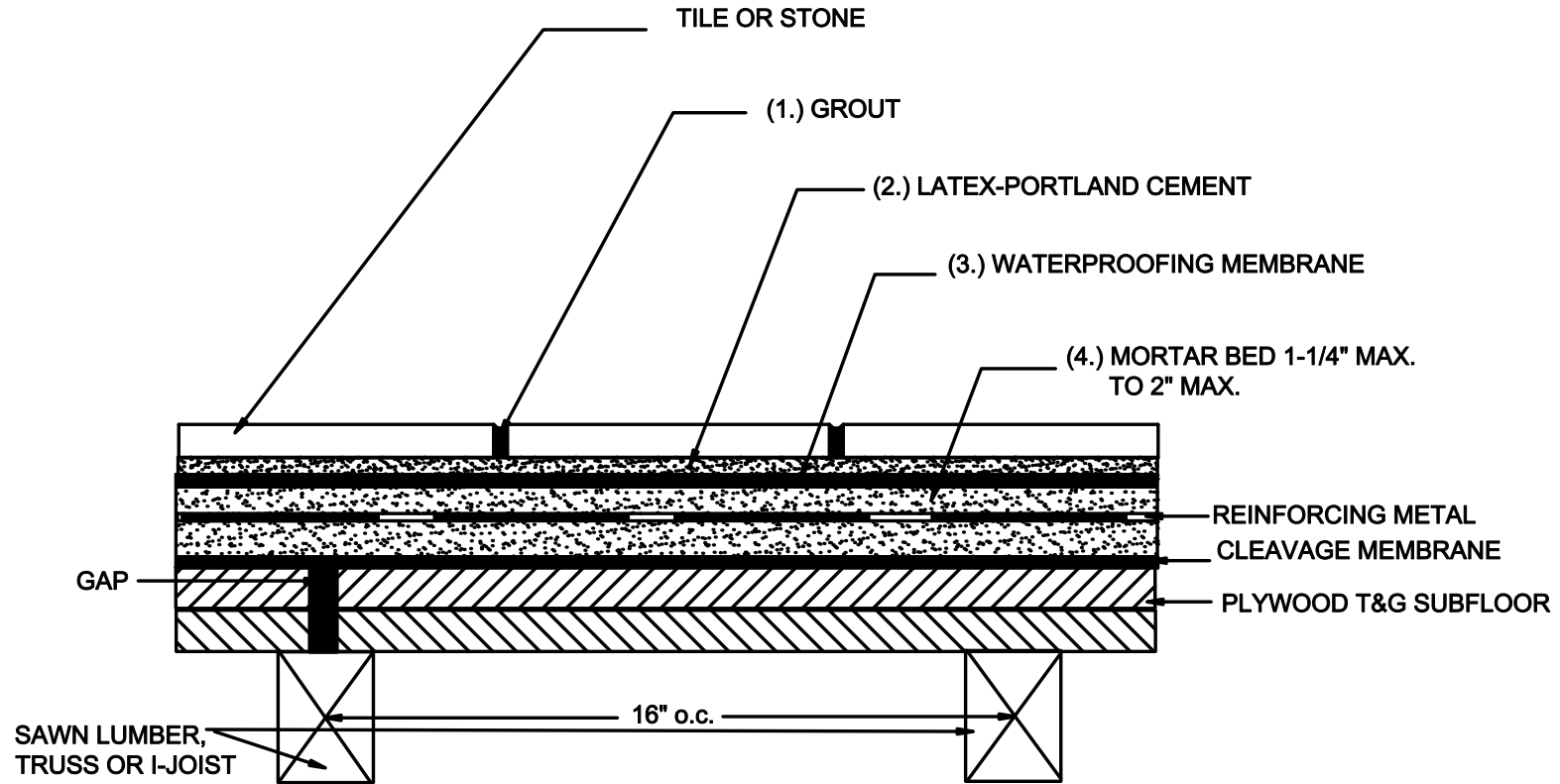


MF 141
Floors, Interior
Wood Subfloor, Cement Mortar
Scale: N.T.S.



MAPEI PRODUCT ASSEMBLY

- 1. Grout Options:**
 - A. MAPEI, *Opticolor*[™]
 - B. MAPEI, *Ultracolor Plus*[®]
 - C. MAPEI, *Keracolor*[™] S or *Keracolor U*
- 2. Latex-Portland Cement Options:**
 - A. MAPEI, *Kerabond/Keralastic*[™] System
 - B. MAPEI, *Granirapid*[®] System
 - C. MAPEI, *Ultraflex LFT*
- 3. Waterproofing Membrane:**
 - A. MAPEI, *Mapelastix AquaDefense*
- 4. Mortar Bed:**
 - A. MAPEI, Topcem Premix blended with MAPEI, *Planicrete*[®] AC

Some installation methods and component materials are not referenced.
 MAPEI encourages the user to consult all approved resources to ensure a complete assembly.