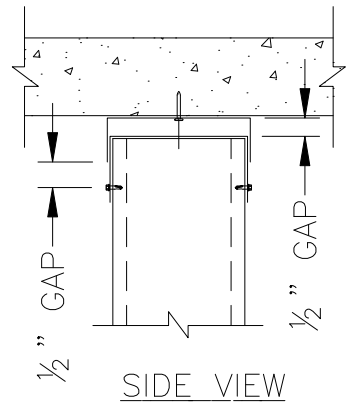


ATTACH DEEP LEG TRACK TO STRUCTURE  
WITH P.A.F.'s BY DESIGN AND  
@ EACH STUD LOCATION.

NOTE: INSIDE DIMENSION OF OUTER TRACK  
TO BE  $\frac{1}{8}$ " MORE THAN STUD DEPTH.



DEEP LEG SLIP TRACK.

$\frac{1}{2}$ " GAP TO  
ALLOW FOR VERTICAL  
DEFLECTION.

ENGINEER OF RECORD:  
VERIFY GAP DEPTH.

NO ATTACHMENT  
TRACK TO TRACK.

SIDE VIEW

DEEP LEG CAPPING TRACK.

(1)#10-16 SCREW AT  
EACH FLANGE.

WALL STUD

SLIP TRACK ASSEMBLY

**Marino\WARE**

**CURTAINWALL DETAIL**