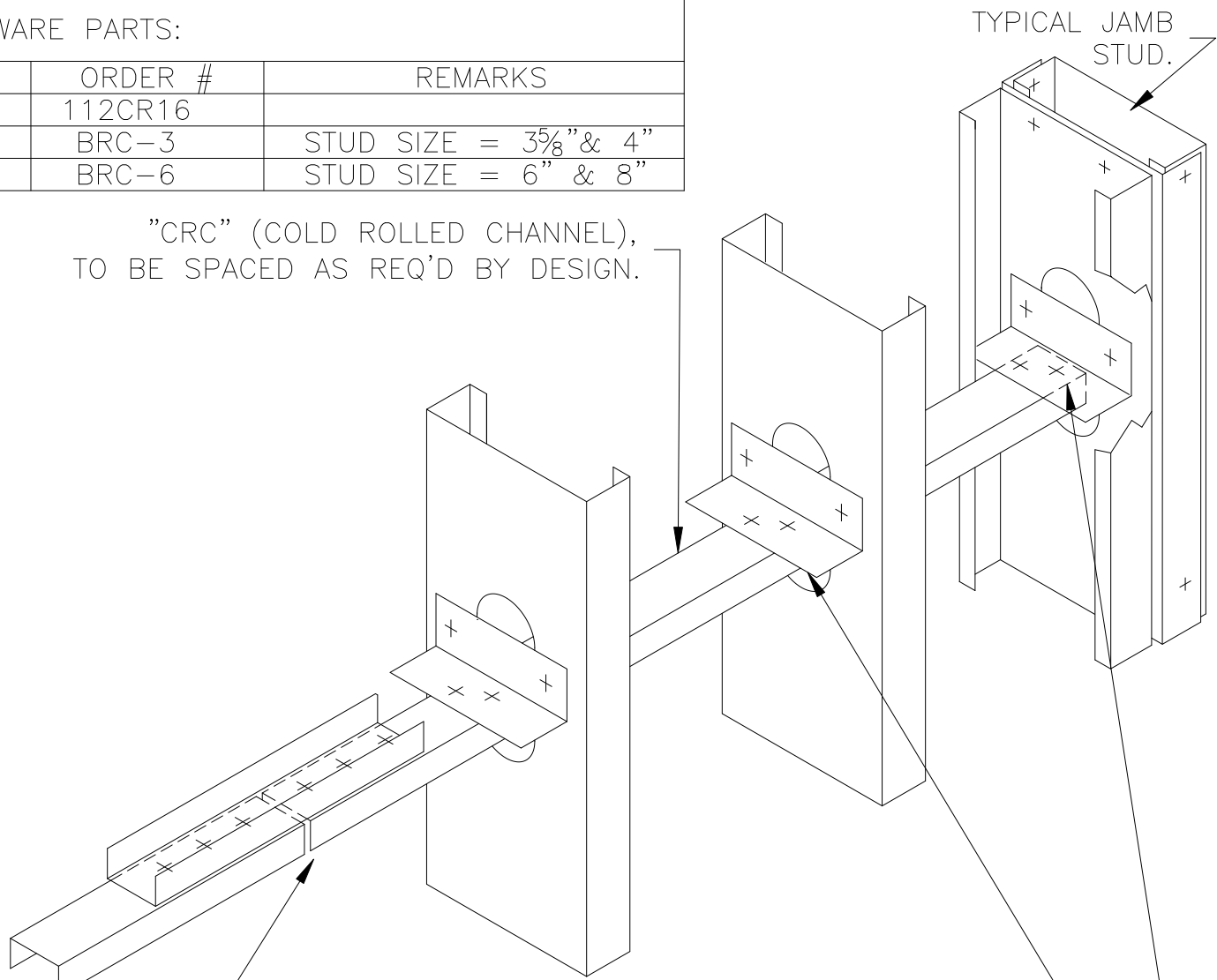


MARINO\WARE PARTS:		
ITEM	ORDER #	REMARKS
"CRC"	112CR16	
"BRC"	BRC-3	STUD SIZE = 3 ⁵ / ₈ " & 4"
"BRC"	BRC-6	STUD SIZE = 6" & 8"

"CRC" (COLD ROLLED CHANNEL),
TO BE SPACED AS REQ'D BY DESIGN.



"BRC" TO BE ATTACHED w/(2)#10-16 SCREWS
TO "CRC" & (2)#10-16 SCREWS TO STUD.

TYP. LATERAL BRACING SPLICE USE:
(1)12" LONG "CRC" INVERTED OVER
CENTER OF SPLICE w/(3)#10-16
SCREWS ON EACH SIDE OF SPLICE.

WHERE BRACING TERMINATES AT BUILT-UP
JAMB OR POST, EXTEND "CRC"
INTO PUNCH-OUT. ATTACH "CRC"
TO JAMB OR POST WITH "BRC" w/(4)#10-16
SCREWS @ PRE-PUNCHED HOLES.

NOTE:
CRC BRACING FOR 3⁵/₈" TO 8"
STUDS ONLY!!

CRC LATERAL BRACING

Marino\WARE

CURTAINWALL DETAIL