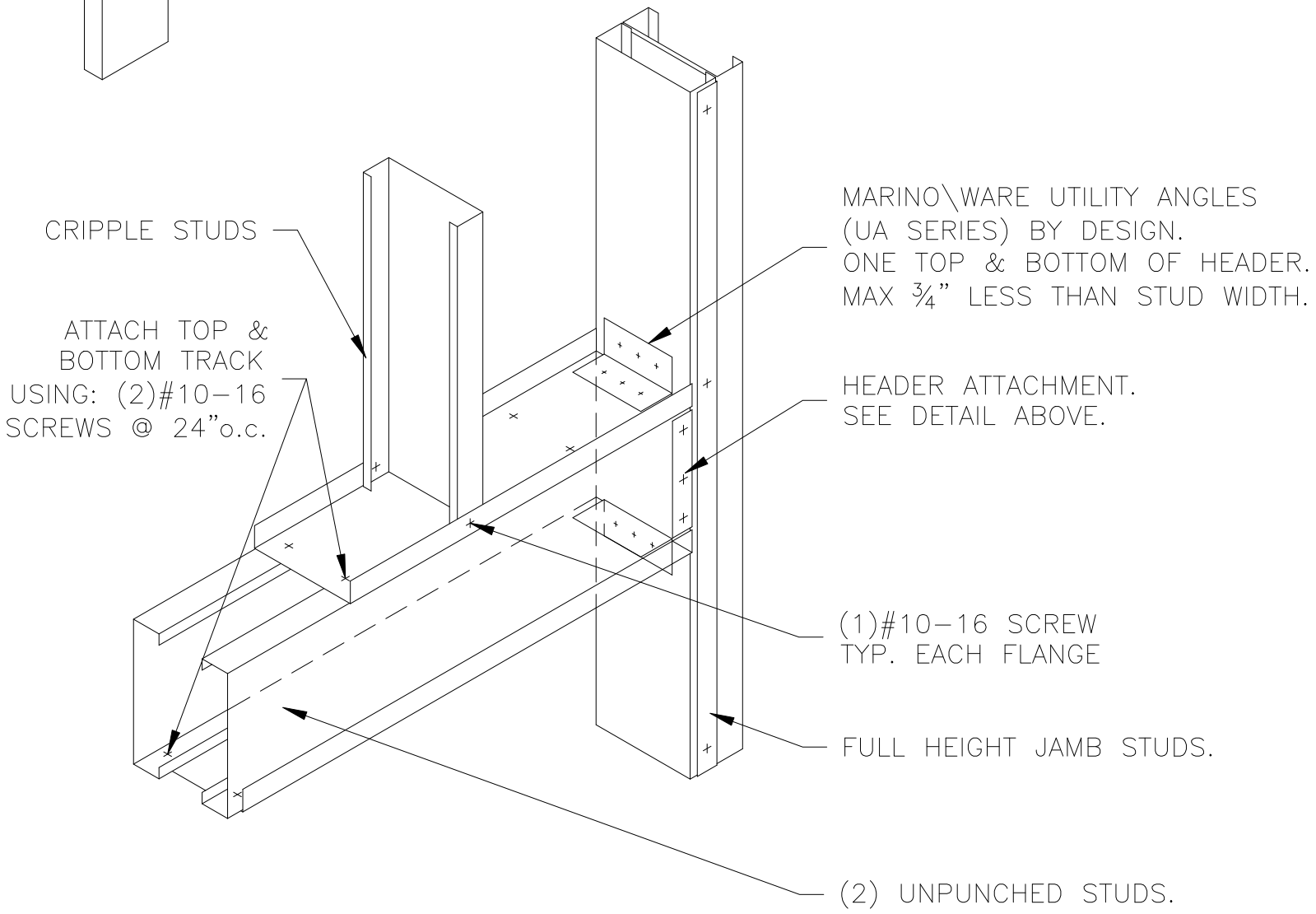


SECTION OF 18ga MIN. TRACK.
 LENGTH $1\frac{1}{4}$ " LESS THAN HEADER DEPTH.
 SCREW ATTACHED TO JAMB & TO HEADER
 w/#10-16 SCREWS.

HEADER ATTACHMENT



CRIPPLE STUDS

ATTACH TOP & BOTTOM TRACK
 USING: (2)#10-16
 SCREWS @ 24"o.c.

MARINO\WARE UTILITY ANGLES
 (UA SERIES) BY DESIGN.
 ONE TOP & BOTTOM OF HEADER.
 MAX $\frac{3}{4}$ " LESS THAN STUD WIDTH.

HEADER ATTACHMENT.
 SEE DETAIL ABOVE.

(1)#10-16 SCREW
 TYP. EACH FLANGE

FULL HEIGHT JAMB STUDS.

(2) UNPUNCHED STUDS.

LARGE OPENING BOXED HEADER

Marino\WARE

CURTAINWALL DETAIL