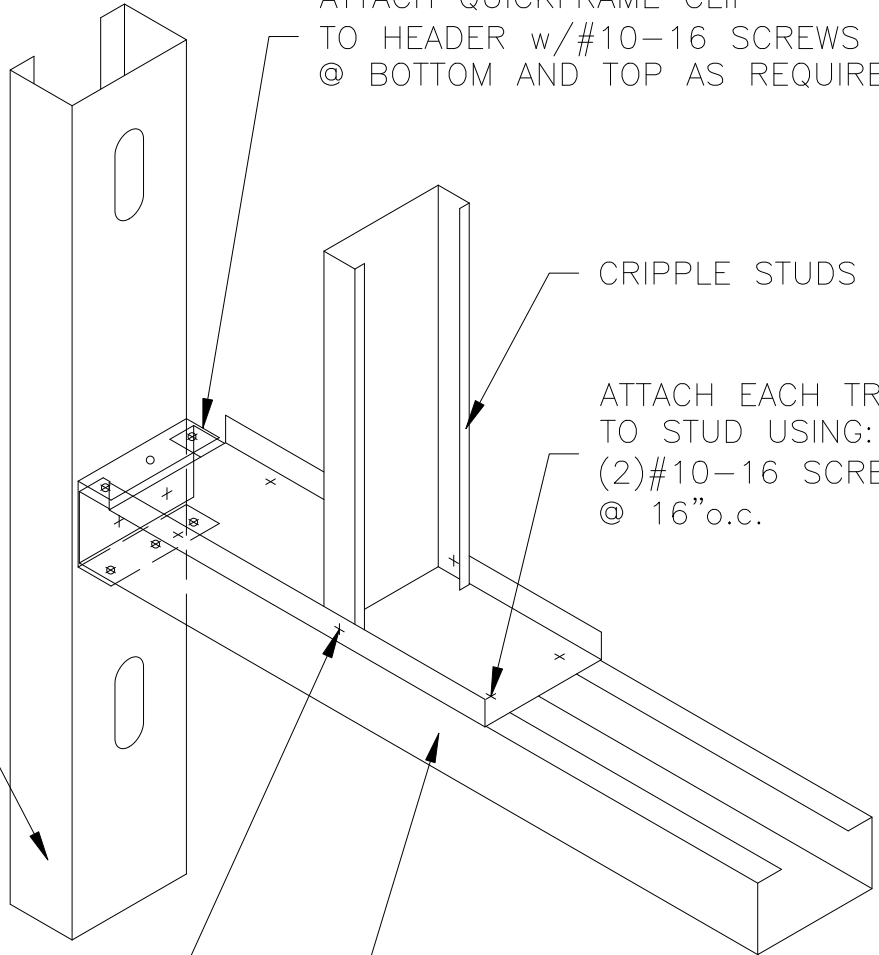


MARINO\WARE QUICKFRAME CLIP  $F_y=50\text{ksi}$ .  
ATTACH TO JAMB w/\#10-16 SCREWS  
AS REQUIRED.



ATTACH QUICKFRAME CLIP  
TO HEADER w/\#10-16 SCREWS  
@ BOTTOM AND TOP AS REQUIRED.

CRIPPLE STUDS

ATTACH EACH TRACK  
TO STUD USING:  
(2)#10-16 SCREWS  
@ 16"o.c.

FULL HEIGHT JAMBS STUDS.

(1)#10-16 SCREW  
TYP. EACH FLANGE

(1) QUICKFRAME HEADER STUD,  
w/(1) RUNNER TRACK.

QUICKFRAME HEADER SYSTEM

**Marino\WARE**

**CURTAINWALL DETAIL**