

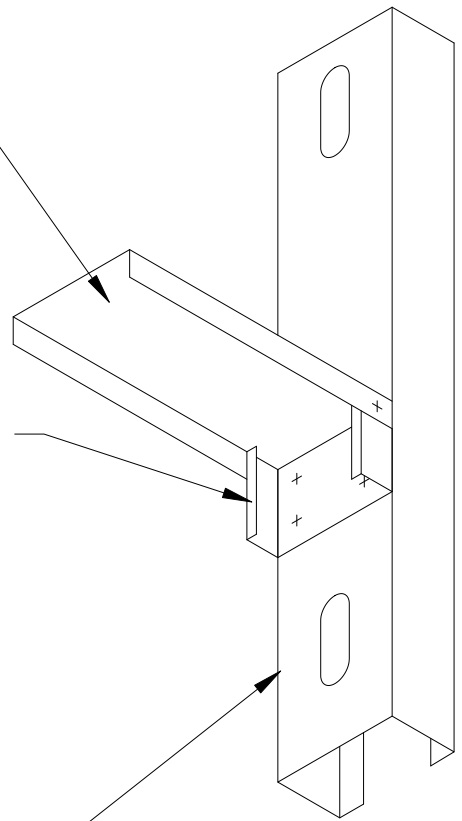
SINGLE JAMB STUD.

6" LONG SECTION OF STUD ATTACHED TO JAMB w/(4)#10-16 SCREWS.

SILL/HEAD TRACK. MEMBER SIZES AS REQ'D PER DESIGN.

HEAD TRACK

6" LONG SECTION OF STUD ATTACHED TO JAMB w/(4)#10-16 SCREWS.



SINGLE JAMB STUD.

SILL TRACK

SMALL OPENING SILL-HEAD TRACK

Marino\WARE

CURTAINWALL DETAIL