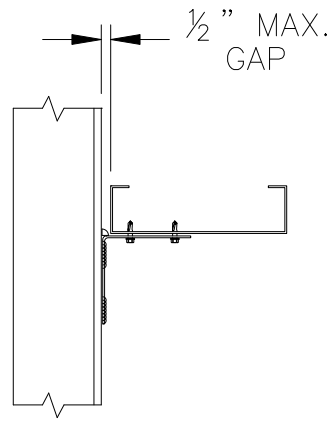


MARINO\WARE UTILITY ANGLE
 (UA SERIES) BY DESIGN.
 ATTACH TO WALL STUD w/#10-16 SCREWS.
 WELD TO STRUCTURAL BY DESIGN.



PLAN VIEW

ENGINEER OF RECORD:
 PLEASE VERIFY TORSIONAL
 STABILITY OF BEAM.

SPANDREL STUD ATTACHMENT

Marino\WARE

CURTAINWALL DETAIL