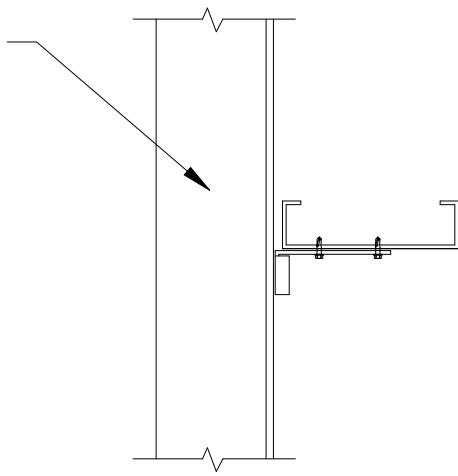


FOR ATTACHMENT OF WSC CLIPS TO WALL STUDS: TIGHTEN SCREWS, THEN BACK OFF 1/2 TURN.

MARINO\WARE WSC-950 OR WSC-1500 VERTICAL SLIDE CLIP. INSTALL AS SHOWN IN PLAN BELOW. ATTACH TO ANGLE WITH P.A.F.'s AS REQUIRED.

CONT. STRUCTURAL ANGLE. (BY OTHERS)



PLAN VIEW

MODEL NO.	GAUGE (MIL) YIELD	BOX QUANTITY	CAPACITY (LBS)
WSC950	16 (54) 50ksi	25	950
WSC1500	12 (97) 33ksi	25	1500

WSC VERTICAL SLIDE CONNECTION

Marino\WARE

CURTAINWALL DETAIL