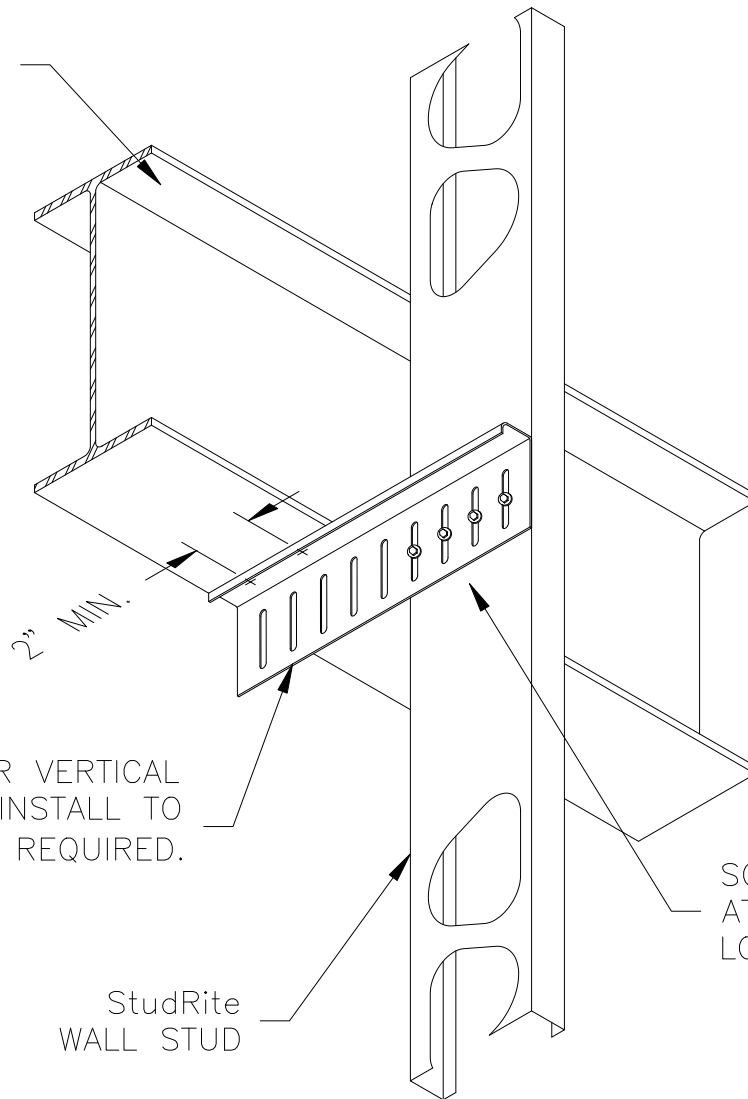


STRUCTURAL BEAM.
(BY OTHERS)



MARINO\WARE OUTRIGGER VERTICAL
SLIDE CLIP. INSTALL TO
BEAM WITH P.A.F.'s AS REQUIRED.

StudRite
WALL STUD

SOLID SECTION OF STUD
AT CONNECTION
LOCATIONS.

ENGINEER OF RECORD:
PLEASE VERIFY TORSIONAL
STABILITY OF BEAM.

FOR ATTACHMENT OF
OUTRIGGER TO WALL STUDS:
TIGHTEN SCREWS, THEN
BACK OFF 1/2 TURN.

MODEL NO.	GAUGE (MIL) YIELD	BOX QUANTITY
OUTRIGGER	16 (54) 50ksi	25

Marino\WARE

OUTRIGGER VERTICAL SLIDE CONNECTION

StudRite CURTAINWALL DETAIL