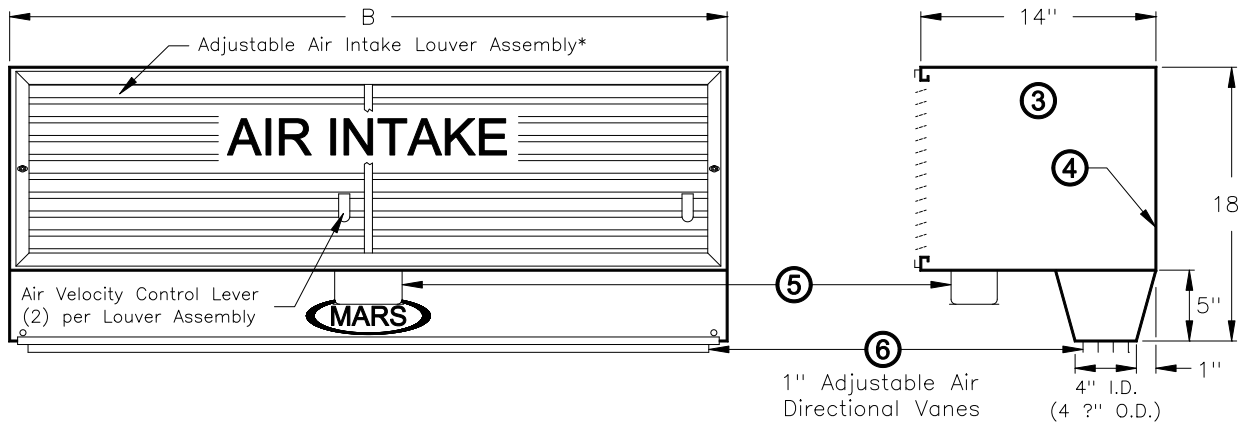


REAR VIEW



FRONT VIEW

END VIEW

NOTES:

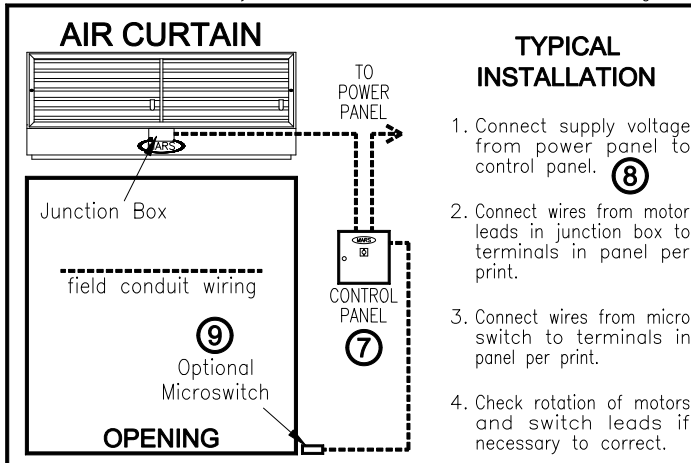
- ① This product is designed to comply with the National Electric Code (NEC) and is U.L. Listed.
- ② 7/16" mounting holes (4) provided, (2) on each end.
- ③ All units have a self contained one piece cabinet, fire retardant and corrosion proof paint lock metal, double protected with baked on gray color rust preventative electrostatic polyurethane powder coating.
- ④ Cabinet has sufficient strength for fastening to wall on both ends without intermediate support.
- ⑤ One watertight electrical junction box per motor mounted on bottom center of each motor/fan assembly. Specify for alternate locations.
- ⑥ Unit is to be installed such that air flow is unobstructed. Air discharge nozzle containing adjustable air directional vanes with 40° sweep front to back.
- ⑦ Optional motor control panel. Overloads are factory set. Standard procedure is to ship panel loose for remote mount. Can be factory mounted on either left or right hand side of air curtain housing. Please specify.
- ⑧ Circuit protection as per NEC by others.
- ⑨ Optional microswitch is field installed and is to be wired to the control panel. Switch to be mounted such that the air curtain turns on as door begins to open.



-2 & -3 designates the number of motors.

***NOTE:** Louver assembly size and number varies with unit length.

MODEL NUMBER	MOUNTING CENTERS A	OVERALL LENGTH B
48HV	47 1/8"	48"
60HV	59 1/8"	60"
72HV-2	71 1/8"	72"
84HV-2	83 1/8"	84"
96HV-2	95 1/8"	96"
96HV-3	95 1/8"	96"
108HV-2	107 1/8"	108"
108HV-3	107 1/8"	108"
120HV-2	119 1/8"	120"
120HV-3	119 1/8"	120"
144HV-3	143 1/8"	144"



PROJECT	MODEL NO.
LOCATION	DRAWING NO.
ARCHITECT	DATE
ENGINEER	SHEET OF
	DRAWN BY
	CHECKED BY
	PROJECT NO.

MARS Air Doors
BRAND AIR CURTAIN

14716 S. BROADWAY • GARDENA, CA 90248
Phone: 310-532-1555 • 800-421-1266 • Fax: 310-324-3030
WEB SITE: www.marsair.com • E-MAIL: marsinfo@marsair.com