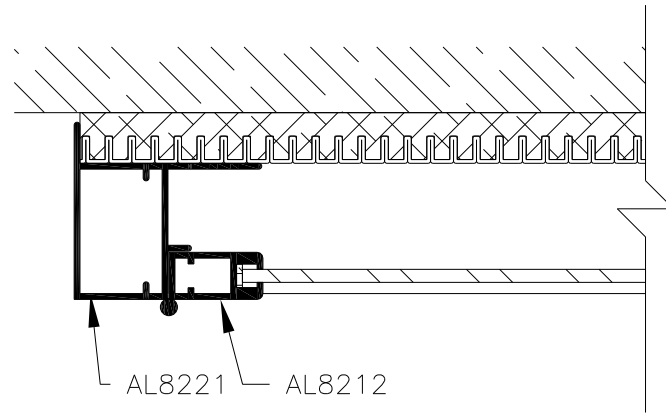
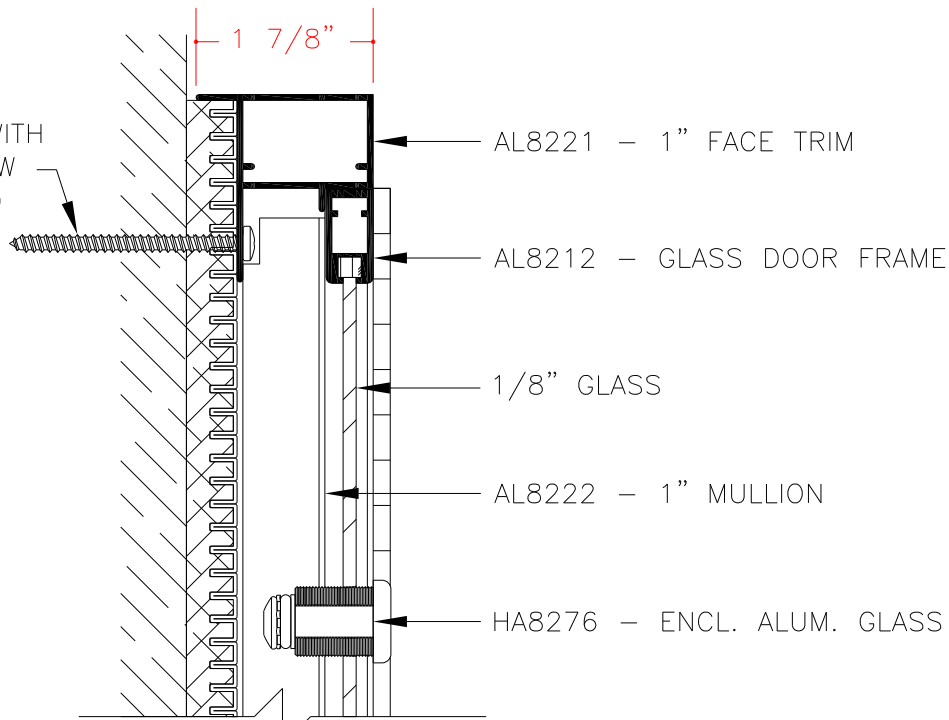
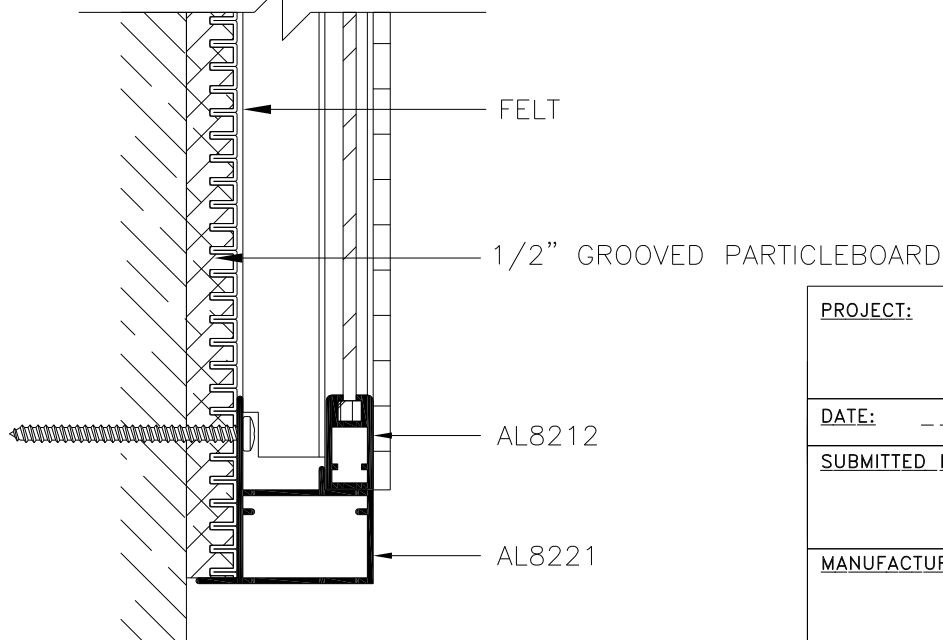


#10 SCREW WITH
PLASTIC SCREW
ANCHOR (TYP)



TOP SECTION VIEW



DELUXE ENCLOSED DIRECTORY BOARD
SERIES "ED"

PROJECT:		-	JOB #	----
DATE:	--/--/--	DRAWN BY:	TCW	SCALE: 3/4
SUBMITTED FOR:		-	-	-
MANUFACTURED BY: MARSH INDUSTRIES, INC. PO BOX 1000 - NEW PHILADELPHIA, OH 44663 PH: (330) 308-8865 FAX: (330) 339-5875				
THIS DRAWING IS PROPRIETARY TO MARSH INDUSTRIES, INC. AND IS FURNISHED SUBJECT TO AN EXPRESSED AGREEMENT NOT TO USE OR DISCLOSE, DIRECTLY OR INDIRECTLY, FOR ANY PURPOSE. THIS LEGEND SHALL BE MARKED UPON ANY REPRODUCTION IN WHOLE OR IN PART HEREOF.			SHEET	OF
			-	-