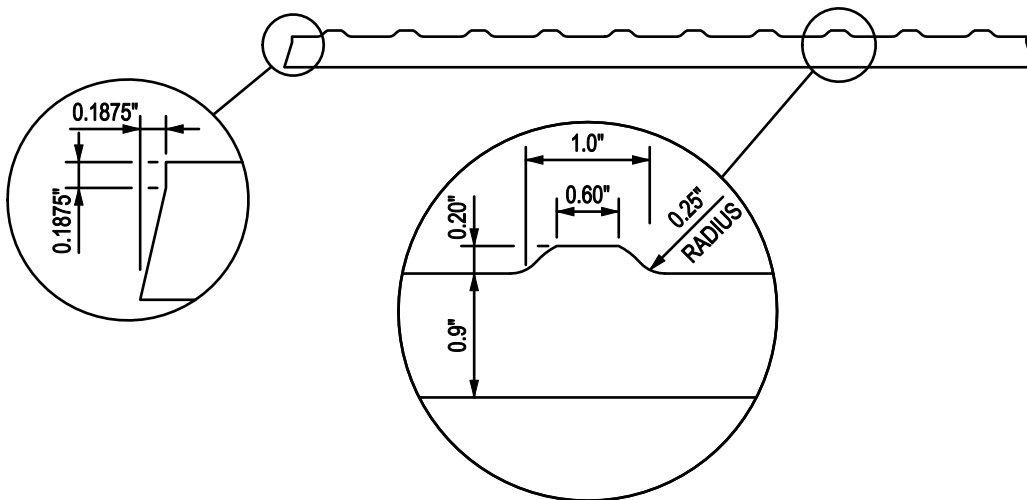
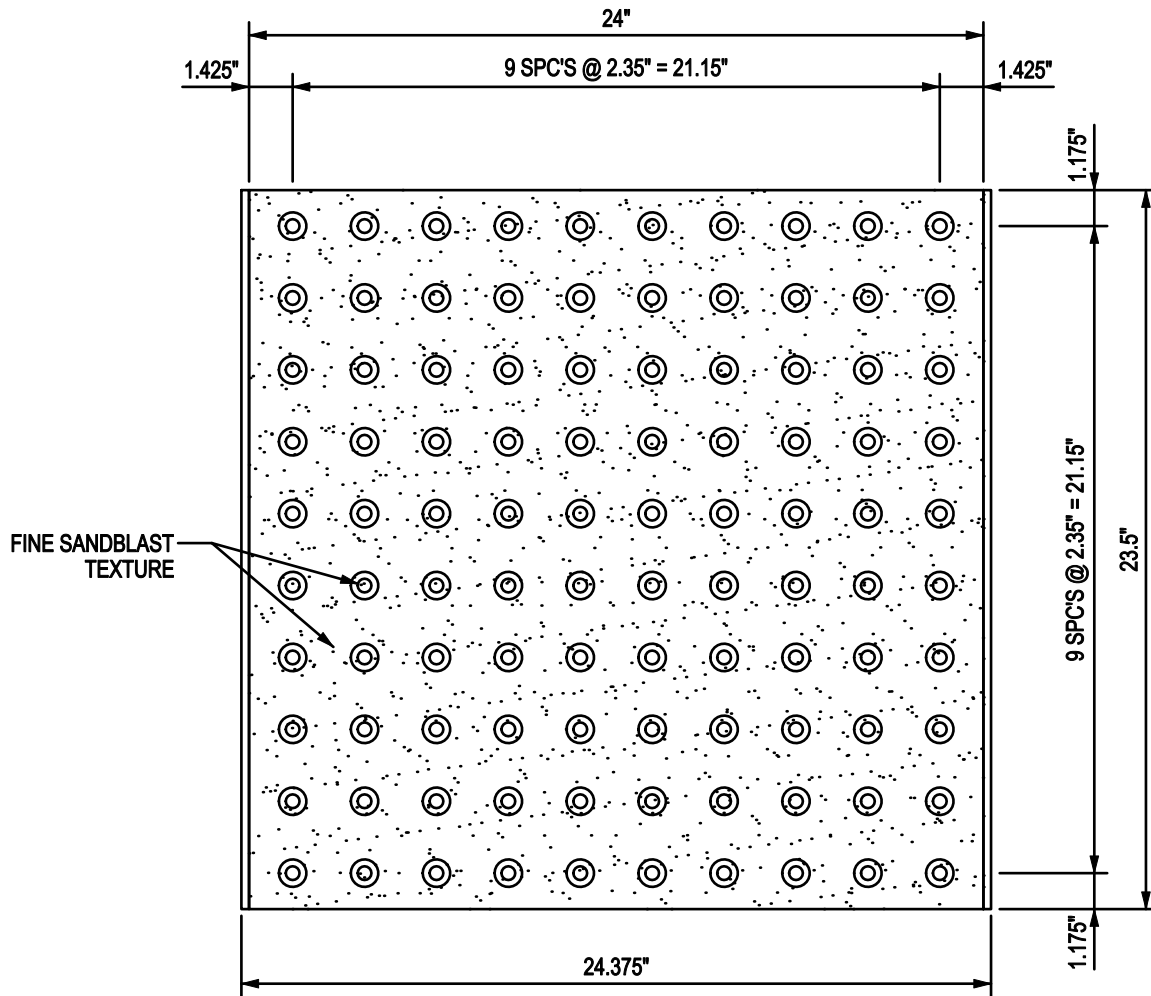


MASCO CASTinTACT® 3 | CAST IN PLACE DETECTABLE WARNING PANEL 2' x 2'
PART # MA CT22



ALL DIMENSIONS IN INCHES

For more information please visit:

CASTinTACT.com

