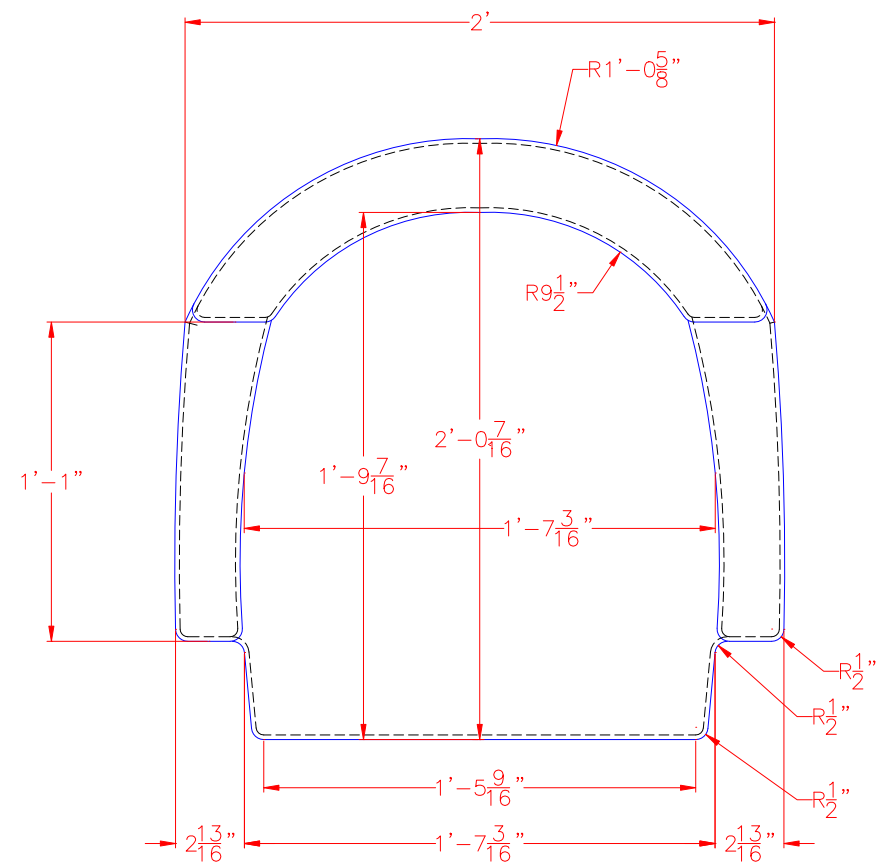
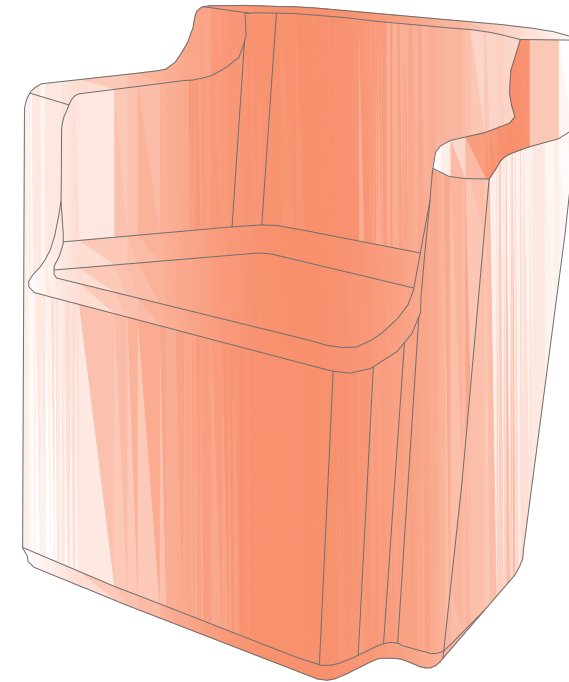
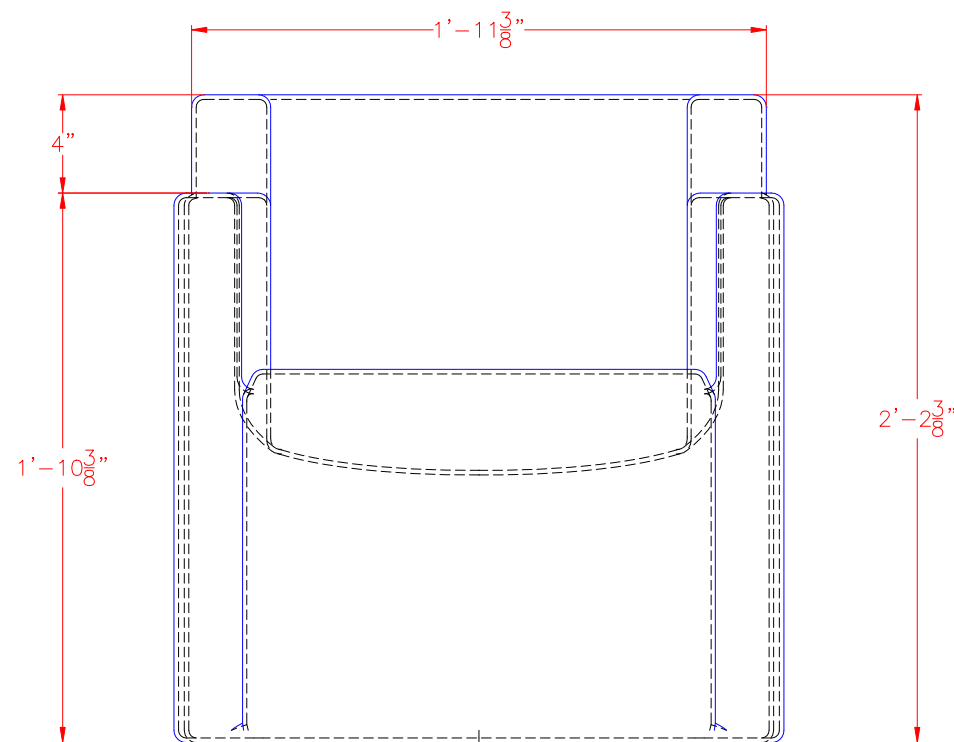


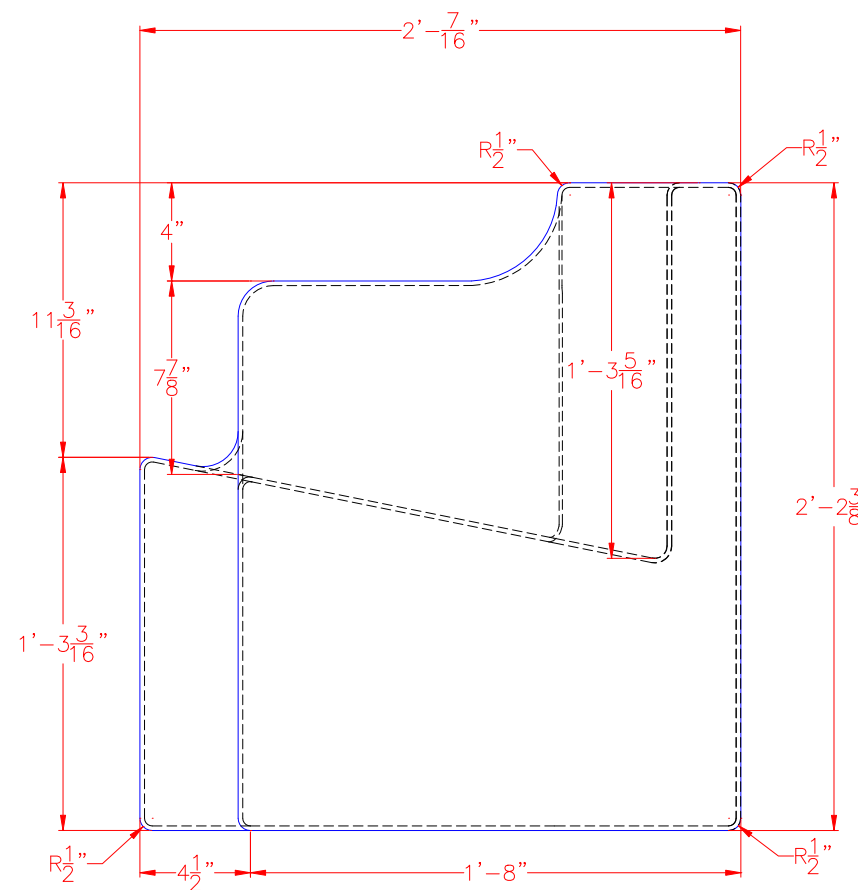
© 2008 MAX SECURE SYSTEM INC.  
 CONFIDENTIAL AND PROPRIETARY DOCUMENT  
 ANY ONE OR MORE OF THE FOLLOWING  
 PATENTS MAY APPLY  
 U.S. PATENT NO. 5,303,669 5,775,835  
 6,449,790 AND 6,895,622 B2  
 C.D.N. PATENT NO. 2,032,532 2,070,984  
 US PATENTS PENDING.  
 © KENNETH E. SZEKELY



TOP VIEW



FRONT VIEW



SIDE VIEW

MATERIAL LIST

ITEM	DESCRIPTION	PART NO.	QTY
1			
2			
3			
4			
5			

REFERENCE DRAWINGS

DWG. NO.	DESCRIPTION

No.	DATE	REVISION	APPR.

SCALE: N.T.S.

DESIGNED BY	K.S.	DATE
DRAWN BY	A.M	DATE 07/25/07
CHECKED BY	J.D	DATE 07/25/07

PROJECT MANAGER

TRADE PART NO. 1000-4

MATERIAL: HERCULITE POLYMER COMPOSITE

SUBJECT: **MAX SECURE**<sup>TM</sup>  
 MAINTENANCE FREE  
 INSTITUTIONAL FURNITURE

PROJECT: MAX SECURE DINING CHAIR  
 FLOOR MOUNTED (OPTIONAL)  
 PART NO. 1000-2  
 PLAN AND ELEVATIONS

DRAWING NO. 1000-2	SHT. NO. 01	REV. NO. 0
--------------------	-------------	------------