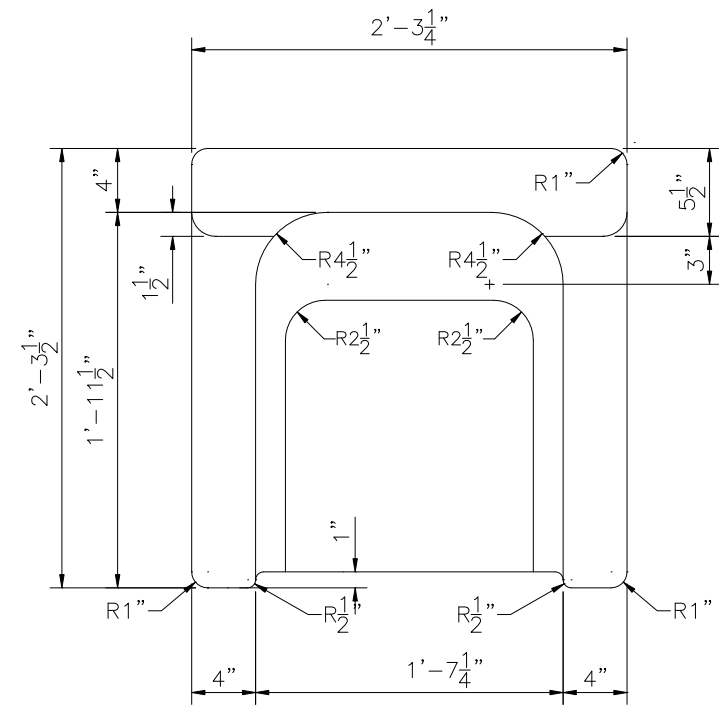


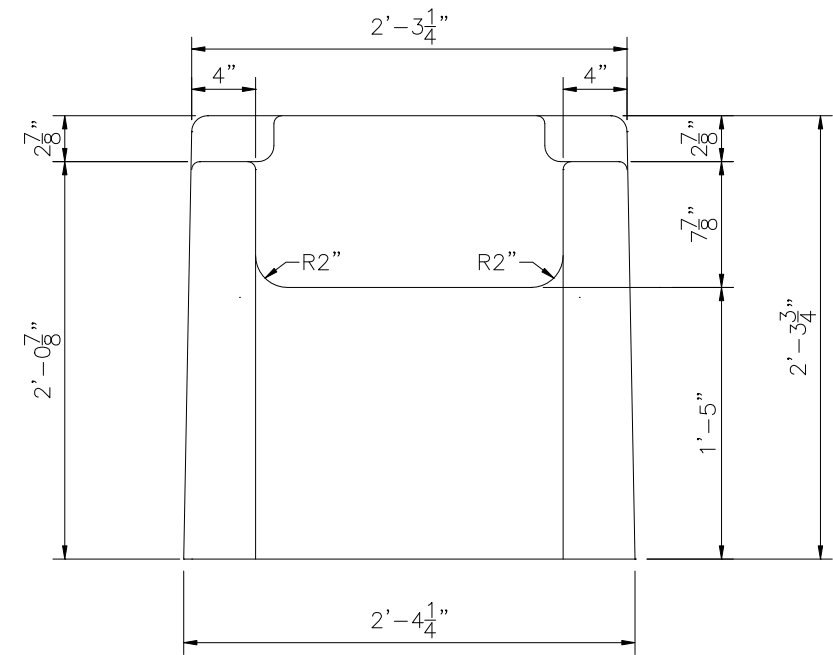
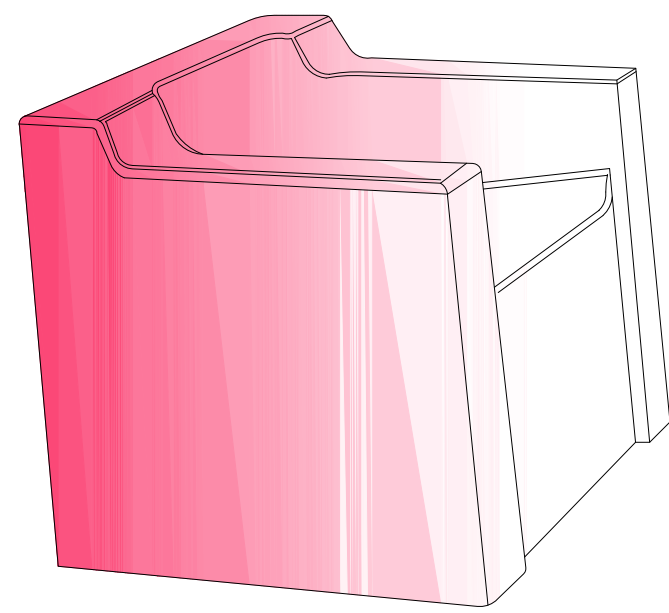
MAX SECURE™

Detention Products

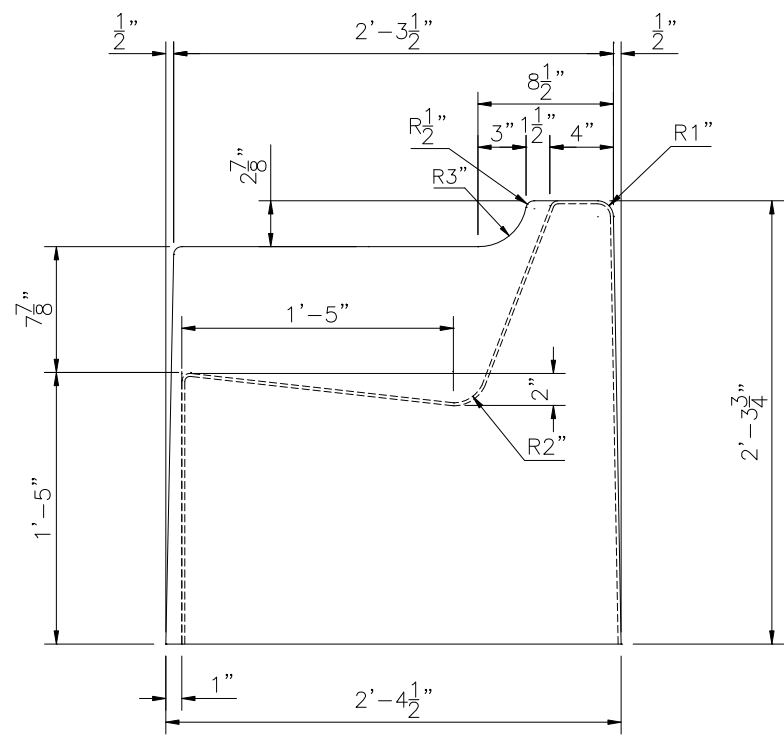
© 2008 MAX SECURE SYSTEM INC.
 CONFIDENTIAL AND PROPRIETARY DOCUMENT
 ANY ONE OR MORE OF THE FOLLOWING
 PATENTS MAY APPLY
 U.S. PATENT NO. 5,303,669 5,775,835
 6,449,790 AND 6,895,622 B2
 C.D.N. PATENT NO. 2,032,532 2,070,984
 US PATENTS PENDING.
 ⓓ KENNETH E. SZEKELY



TOP VIEW



FRONT ELEVATION



SIDE ELEVATION

MATERIAL LIST

ITEM	DESCRIPTION	PART NO.	QTY
1			
2			
3			
4			
5			

REFERENCE DRAWINGS

DWG. NO.	DESCRIPTION

No.	DATE	REVISION	APPR.

SCALE: N.T.S.

DESIGNED BY	K.S.	DATE
DRAWN BY	A.M.	DATE 07/25/07
CHECKED BY	J.D.	DATE 07/25/07

PROJECT MANAGER	
TRADE	PART NO. 1000-4

MATERIAL: HERCULITE POLYMER COMPOSITE
 SUBJECT: **MAX SECURE™**
 MAINTENANCE FREE
 INSTITUTIONAL FURNITURE

PROJECT: MAX SECURE CLUB CHAIR
 FLOOR MOUNTED (OPTIONAL)
 PART NO. 1000-4
 PLAN AND ELEVATIONS

DRAWING NO. 1000-4	SHT. NO. 01	REV. NO. 0
--------------------	-------------	------------