

MAX SECURE™

Detention Products

© 2008 MAX SECURE SYSTEM INC.
 CONFIDENTIAL AND PROPRIETARY DOCUMENT
 ANY ONE OR MORE OF THE FOLLOWING
 PATENTS MAY APPLY
 U.S. PATENT NO. 5,303,669 5,775,835
 6,449,790 AND 6,895,622 B2
 C.D.N. PATENT NO. 2,032,532 2,070,984
 US PATENTS PENDING.
 © KENNETH E. SZEKELY

MATERIAL LIST

ITEM	DESCRIPTION	PART NO.	QTY
1			
2			
3			
4			
5			

REFERENCE DRAWINGS

DWG. NO.	DESCRIPTION

No.	DATE	REVISION	APPR.

SCALE N.T.S.

DESIGNED BY	K.S.	DATE	09/10/91
DRAWN BY	A.M.	DATE	08/21/07
CHECKED BY	J.D.	DATE	08/21/07

PROJECT MANAGER

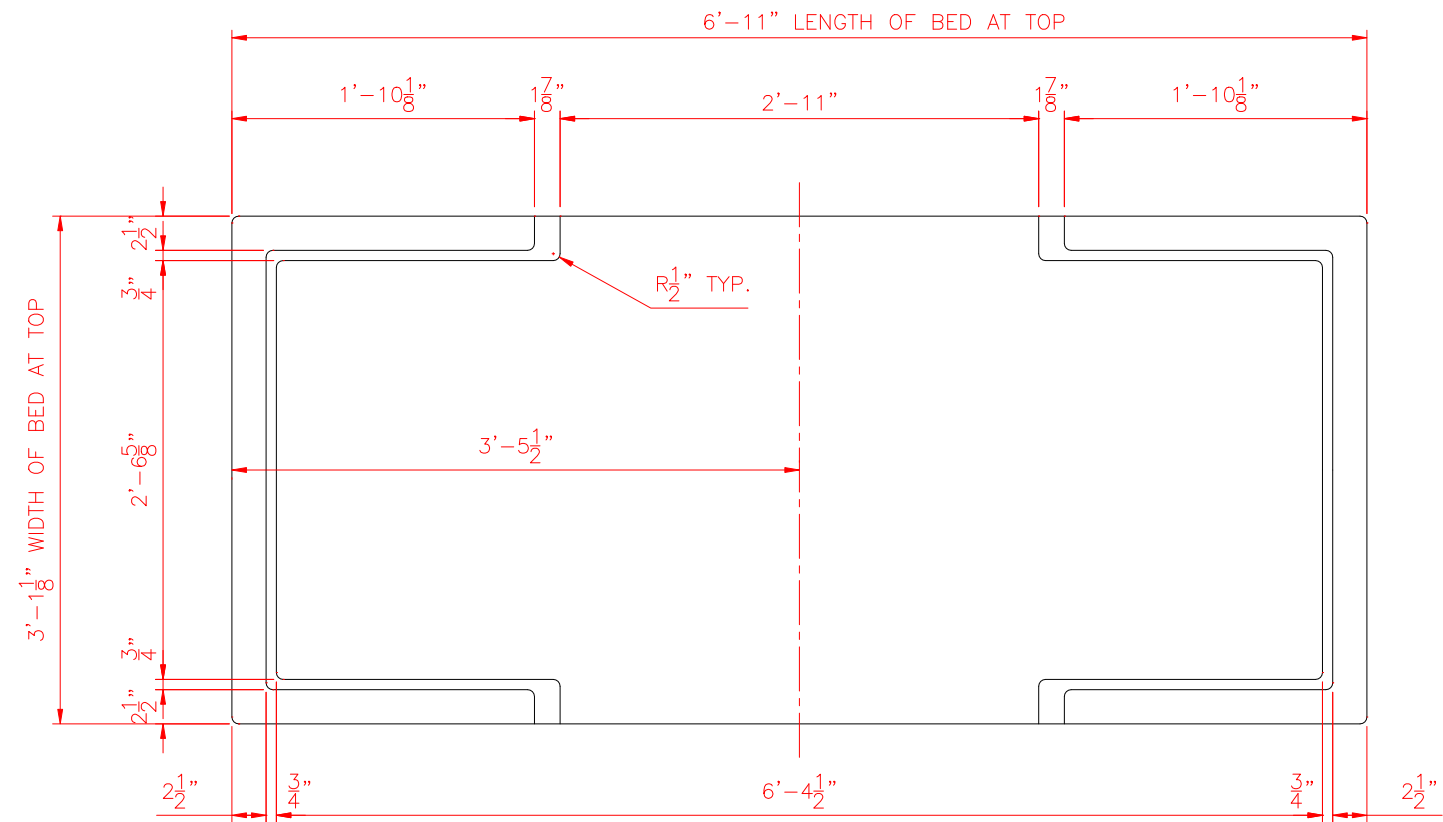
TRADE PART NO. 5000-12

MATERIAL HERCULITE POLYMER COMPOSITE

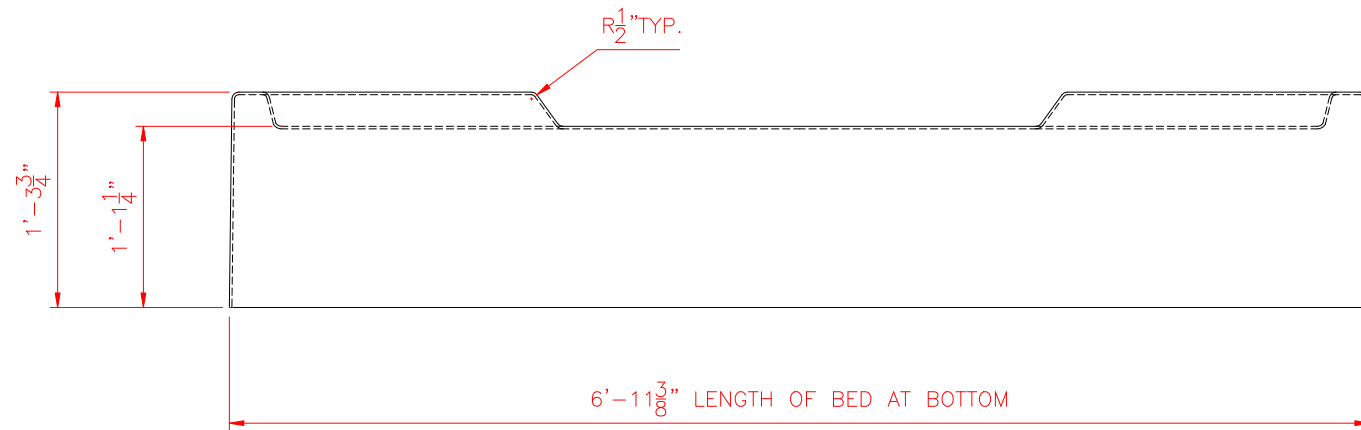
SUBJECT **MAX SECURE™**
 MAINTENANCE FREE
 INSTITUTIONAL FURNITURE

PROJECT
 FREE STANDING BED
 PART NO. 5000-12
 PLAN AND ELEVATIONS

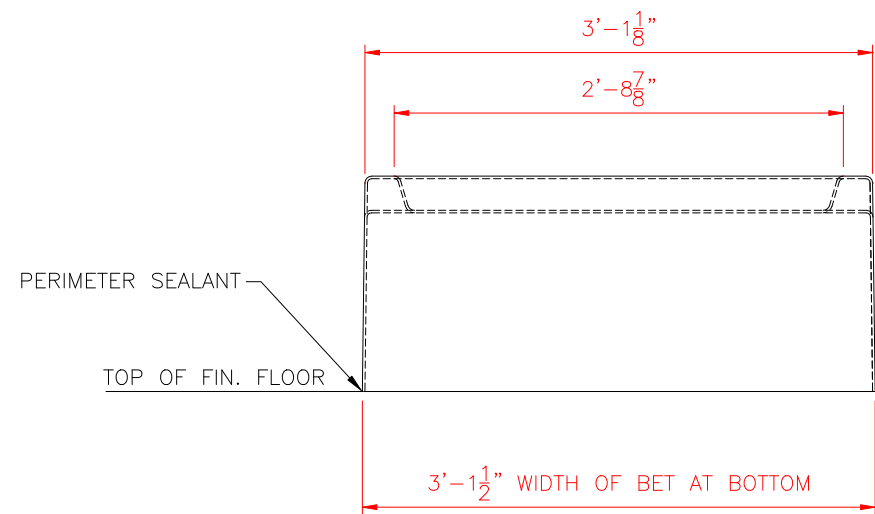
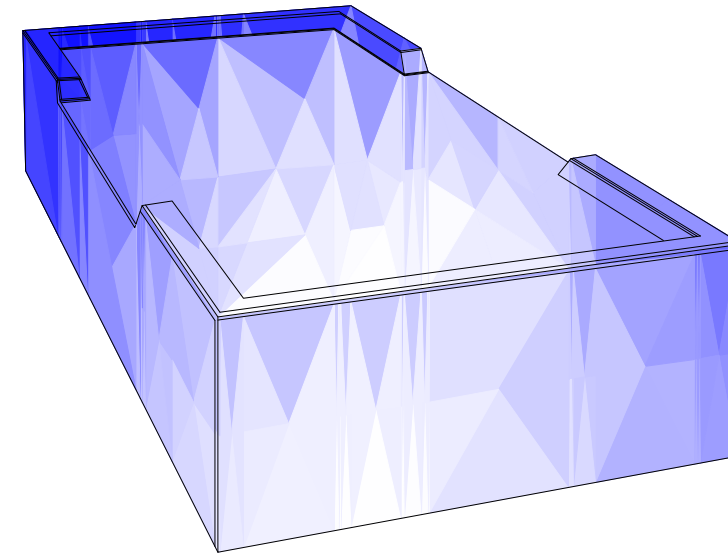
DRAWING NO.	SHT. NO.	REV. NO.
5000-12	01	0



TOP VIEW



FRONT ELEVATION



SIDE ELEVATION