

MAX SECURE™ Detention Products

© 2008 MAX SECURE SYSTEM INC.
CONFIDENTIAL AND PROPRIETARY DOCUMENT
ANY ONE OR MORE OF THE FOLLOWING
PATENTS MAY APPLY
U.S. PATENT NO. 5,303,669 5,775,835
6,449,790 AND 6,895,622 B2
C.D.N. PATENT NO. 2,032,532 2,070,984
US PATENTS PENDING.
© KENNETH E. SZEKELY

MATERIAL LIST

ITEM	DESCRIPTION	PART NO.	QTY
1			
2			
3			
4			
5			
6			
7			

NOTE:
USE ITEM 2B (THROUGH BOLT) FOR BACK TO
BACK MOUNTING WHEN LOCKERS ARE ADJACENT
TO EACH OTHER IN OPPOSITE ROOMS.

REFERENCE DRAWINGS

DWG. NO.	DESCRIPTION

No.	DATE	REVISION	APPR.

SCALE
N.T.S.

DESIGNED BY	K.S.	DATE
DRAWN BY	A.M.	DATE 07/25/07
CHECKED BY	J.D.	DATE 07/25/07

PROJECT MANAGER	
TRADE	PART NO. 5000-8

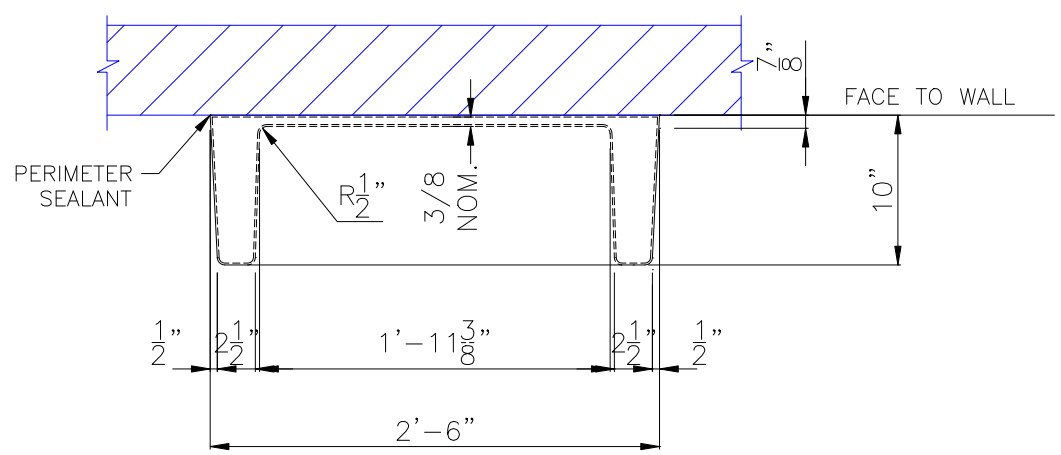
MATERIAL HERCULITE POLYMER COMPOSITE

SUBJECT **MAX SECURE™**
MAINTENANCE FREE
INSTITUTIONAL FURNITURE

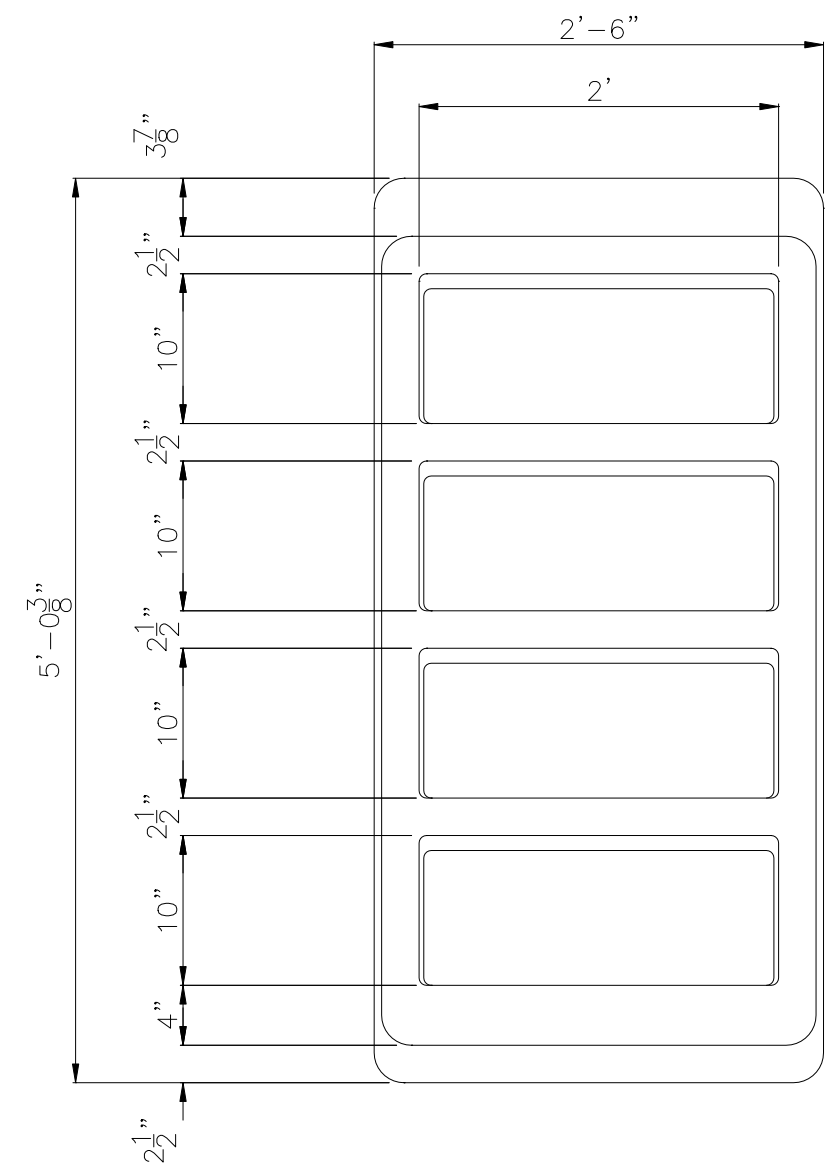
PROJECT

FOUR SHELF LOCKER
PART NO. 5000-8
PLAN AND ELEVATIONS

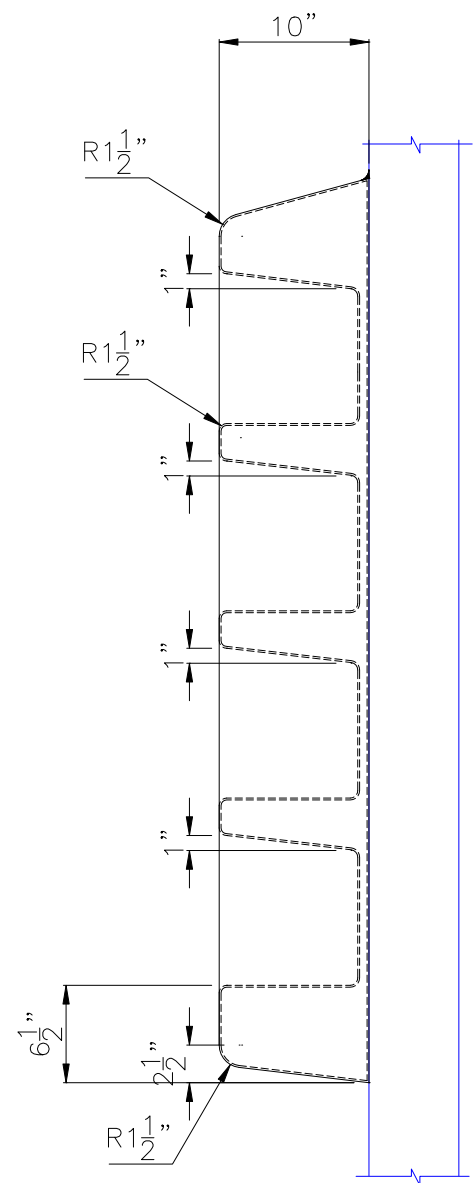
DRAWING NO. 5000-8	SHT. NO. 01	REV. NO. 0
-----------------------	----------------	---------------



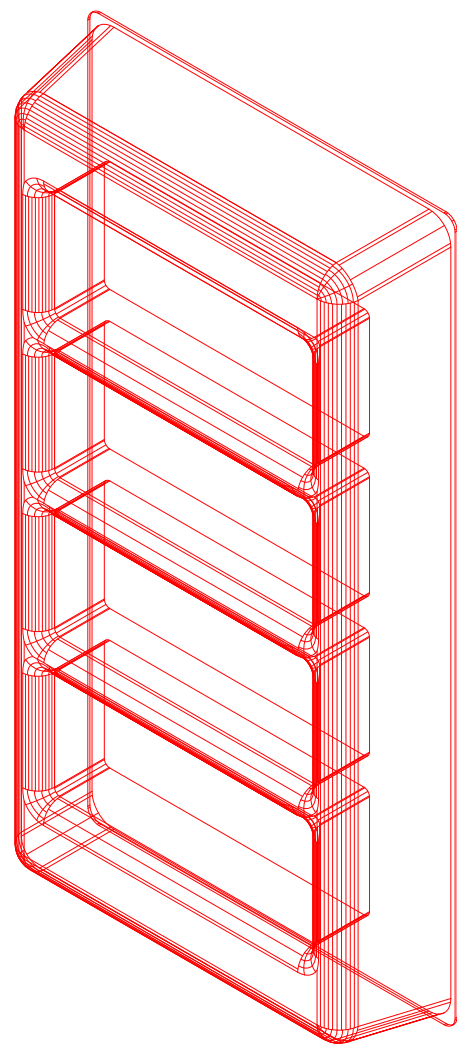
TOP VIEW



FRONT ELEVATION



SIDE ELEVATION



ISOMETRIC VIEW