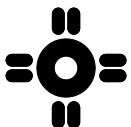
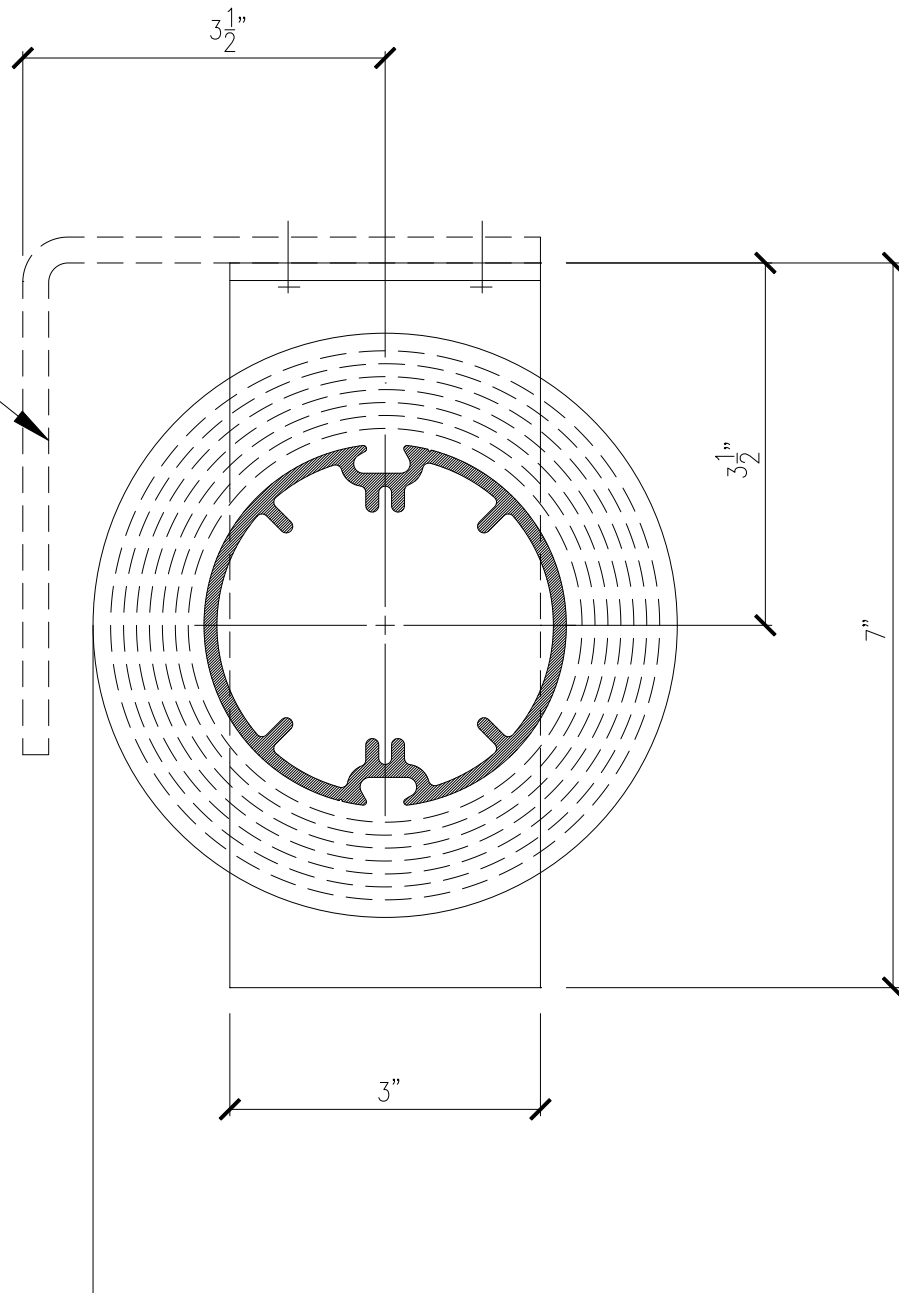


OPTIONAL
WALL MOUNT
ANGLE



MechoShade Systems, Inc.
42-03 35th Street
Long Island City, NY 11101
Tel: 718-729-2020
Fax: 718-729-2941

JOB	1			
TITLE	REV	DATE	BY	DESCRIPTION
ARCHITECT	DATE			JOB No.
DEALER	SCALE	PROPOSAL No.		
	DWN. BY	SHEET No.	OF	DWG No.