

LOW VOLTAGE CONTROL WIRING TO CONTROL CONSOLE BY BEST ROUTE OVER OR IN SAME CONDUIT AS HIGH VOLTAGE WIRING (1/2\"/>

TO REACH JUNCTION BOX, WIRES EITHER GO UP OR DOWN THROUGH MILLION

JUNCTION BOX USUALLY PROVIDED IN WALL ABOVE CROSSMEMBER AT 7'-9\"/>

HIGH VOLTAGE WIRING SHOWN IN SOLID LINES. NO OTHER WIRING NEEDED FOR CASWELL ELECTRIC SYSTEM.

LOW VOLTAGE CONTROL WIRING SHOWN IN BROKEN LINES. NEEDED ONLY FOR CASWELL AUTOMATIC SYSTEM. AVAILABLE AS WIRING HARNESS FROM CASWELL.

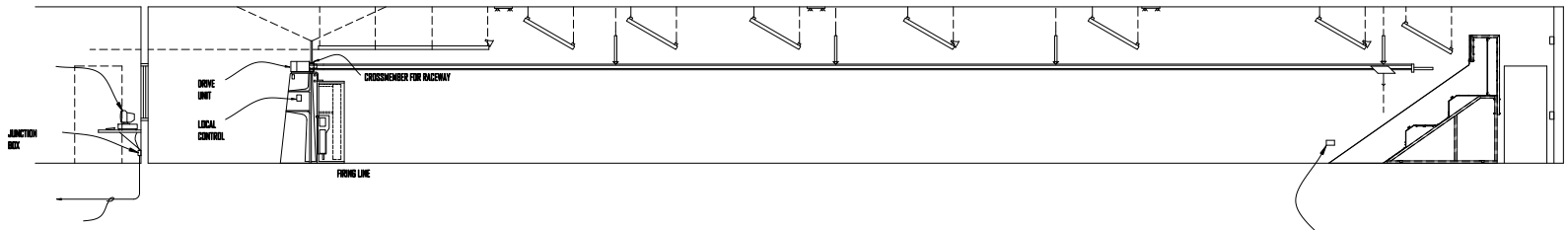
ENTRANCE BOX ON DRIVE UNITS FOR 120 VAC WIRING.

CROSSMEMBER PROVIDES RACEWAY FOR WIRING.

CABLE FROM DRIVE UNIT TO SHOOTING STALL FOR LOCAL CONTROL. INCLUDED WITH CONTROL FOR CASWELL ELECTRIC SYSTEM OR IN HARNESS FOR CASWELL AUTOMATIC SYSTEM.

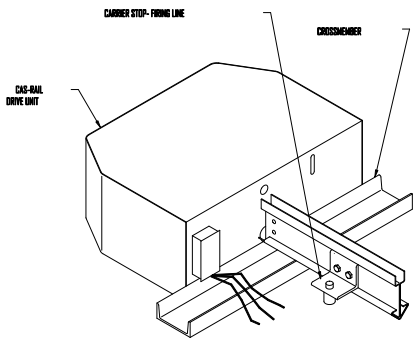
PHOENIX CONTROL CONSOLE

NOTE: ALL LOW VOLTAGE CIRCUITS FOR LIGHTING CONTROL, AUDIO SYSTEM, SIGNAL LIGHT SYSTEM, ETC. MAY ALSO PASS THROUGH THE JUNCTION BOX, DETERMINING SIZE ACCORDINGLY.



HIGH VOLTAGE FOR POWER SUPPLY IN JUNCTION BOX TO DISTRIBUTION PANEL BY BEST ROUTE OR TO WALL OUTLET.

IF ADVANCED TARGET TUBES OR ADVANCED TRAINING EQUIPMENT, PROVIDE JUNCTION BOX ALONG WITH WALL TO AMP FOR VAC SERVICE TO BOX. HIGH VOLTAGE CONTROL RUN TO CONSOLE BY BEST ROUTE.



TYPICAL DRIVE UNIT HOOK-UP

NOTES:

- ENTRANCE BOX HAS PROCKOUTS ON 4 SIDES AND CONTAINS 3 CONDUITS PER WALL. ONE VOLTAGE WIRING FOR BOTH CASWELL ELECTRIC AND CASWELL AUTOMATIC SYSTEMS ENTER HERE.
- LOW VOLTAGE CONTROL WIRING ENTERS THROUGH OPENING IN DRIVE UNIT. USED FOR CASWELL AUTOMATIC SYSTEMS ONLY.
- HIGH VOLTAGE WIRING ACCORDING TO LOCAL CODES CAN BE SUPPORTED BY AND CARRIED IN THE CROSSMEMBER.

DESIGNED BY HILLBOMBER/DAVIDSON COMPANY FOR HILLBOMBER

THIS DRAWING IS THE PROPERTY OF HILLBOMBER/DAVIDSON COMPANY AND IS TO BE USED ONLY FOR THE PROJECT AND AREA OF THE PROJECT FOR WHICH IT WAS PREPARED. IT IS NOT TO BE REPRODUCED OR COPIED IN ANY MANNER WITHOUT THE WRITTEN PERMISSION OF HILLBOMBER/DAVIDSON COMPANY.

DATE	A	1948	JD	RELEASED
BY	W/A	W/A	W/A	W/A
PROJECT	MERRITT DEFENSE SYSTEMS CASWELL			
DESCRIPTION	TYPICAL LAW ENFORCEMENT BARRIERS ELECTRICAL DETAILS			
SCALE	D			
NO.	13-4364			
DATE	NOV 1948			
BY	W/A			
CHKD	W/A			
APP'D	W/A			
NOTE	DO NOT SCALE DRAWING			
			SHEET	OF 1
				4