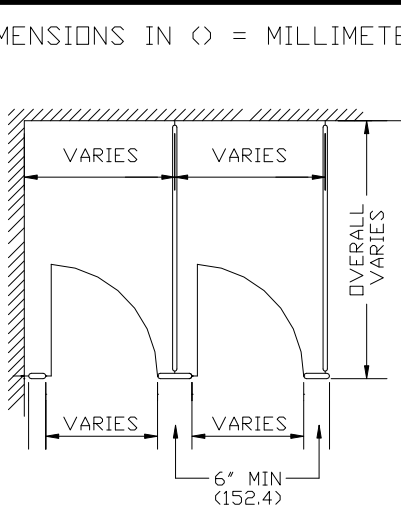
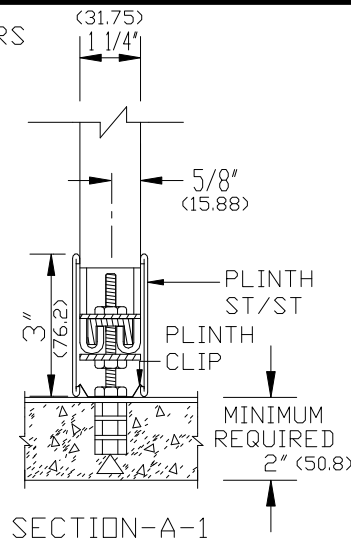


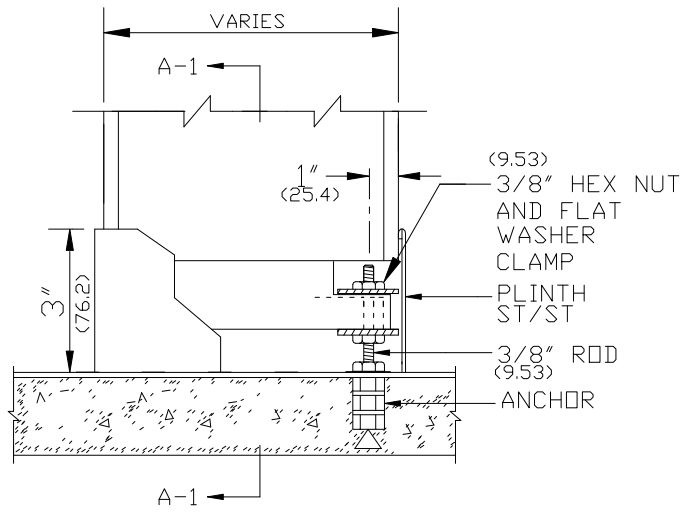
DIMENSIONS IN () = MILLIMETERS



FLOOR PLAN

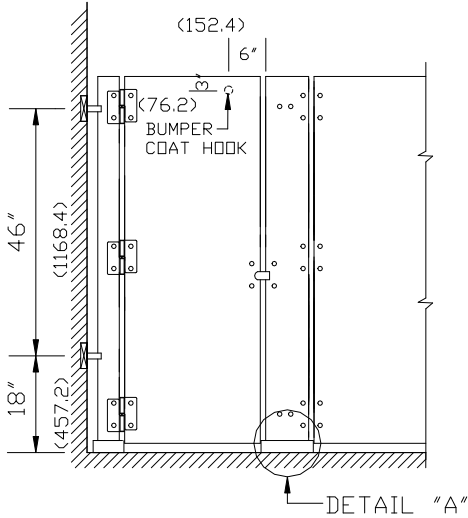


SECTION-A-1

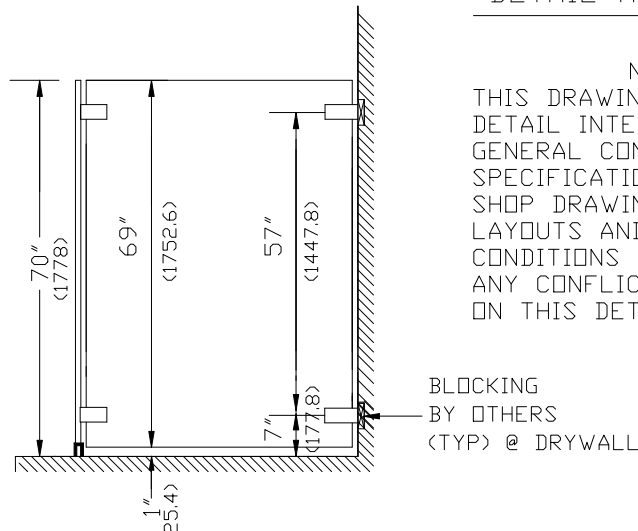


DETAIL A

NOTE:
THIS DRAWING IS A STANDARD
DETAIL INTENDED TO SHOW
GENERAL CONSTRUCTION AND
SPECIFICATION INFORMATION. SEE
SHOP DRAWING FOR ACTUAL JOB
LAYOUTS AND SPECIFIC JOB
CONDITIONS WHICH SUPERCEDE
ANY CONFLICTING INFORMATION
ON THIS DETAIL SHEET.

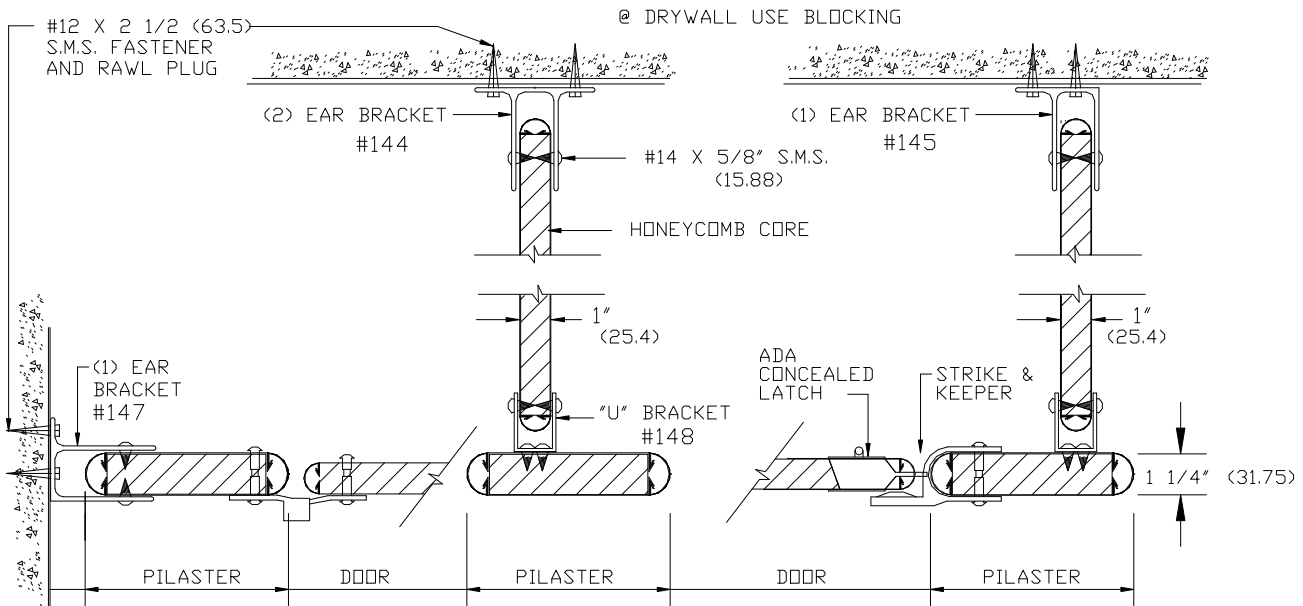


FRONT ELEVATION



SIDE ELEVATION

BLOCKING
BY OTHERS
(TYP) @ DRYWALL



METPAR CORP

95 State Street, Westbury, NY 11590

Tel: 516-333-2600

Fax: 516-333-2618

STAINLESS STEEL
EASTERN STYLE FT-700E

THE LUXOR

FT700SSE.DWG