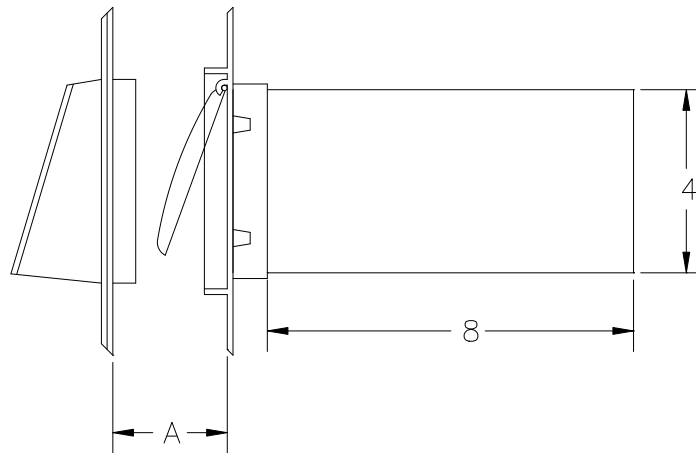
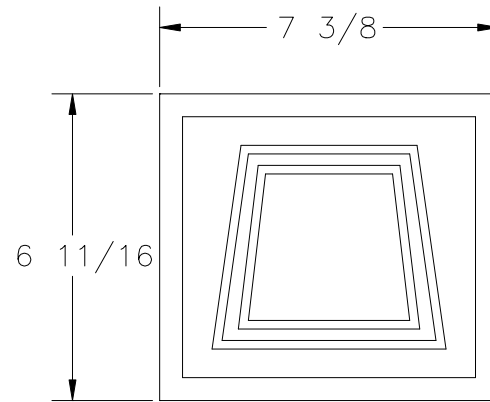


CLASSIC HOODED DRYER VENT



DIMENSION "A" LOCKING
POSITIONS: .75, 1.00
ALL DIMENSIONS IN INCHES