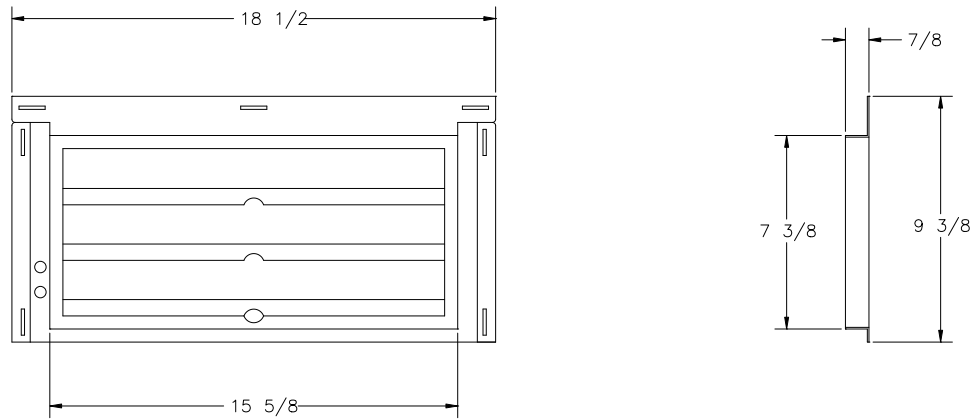
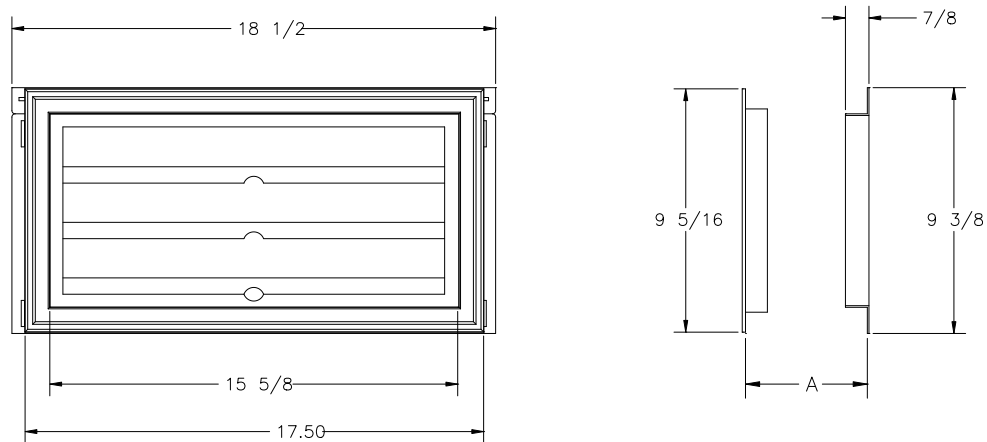


# FOUNDATION MASTER



# NEW CONSTRUCTION



DIMENSION "A" LOCKING  
POSITIONS: .50, .75  
ALL DIMENSIONS IN INCHES

# REMODELING