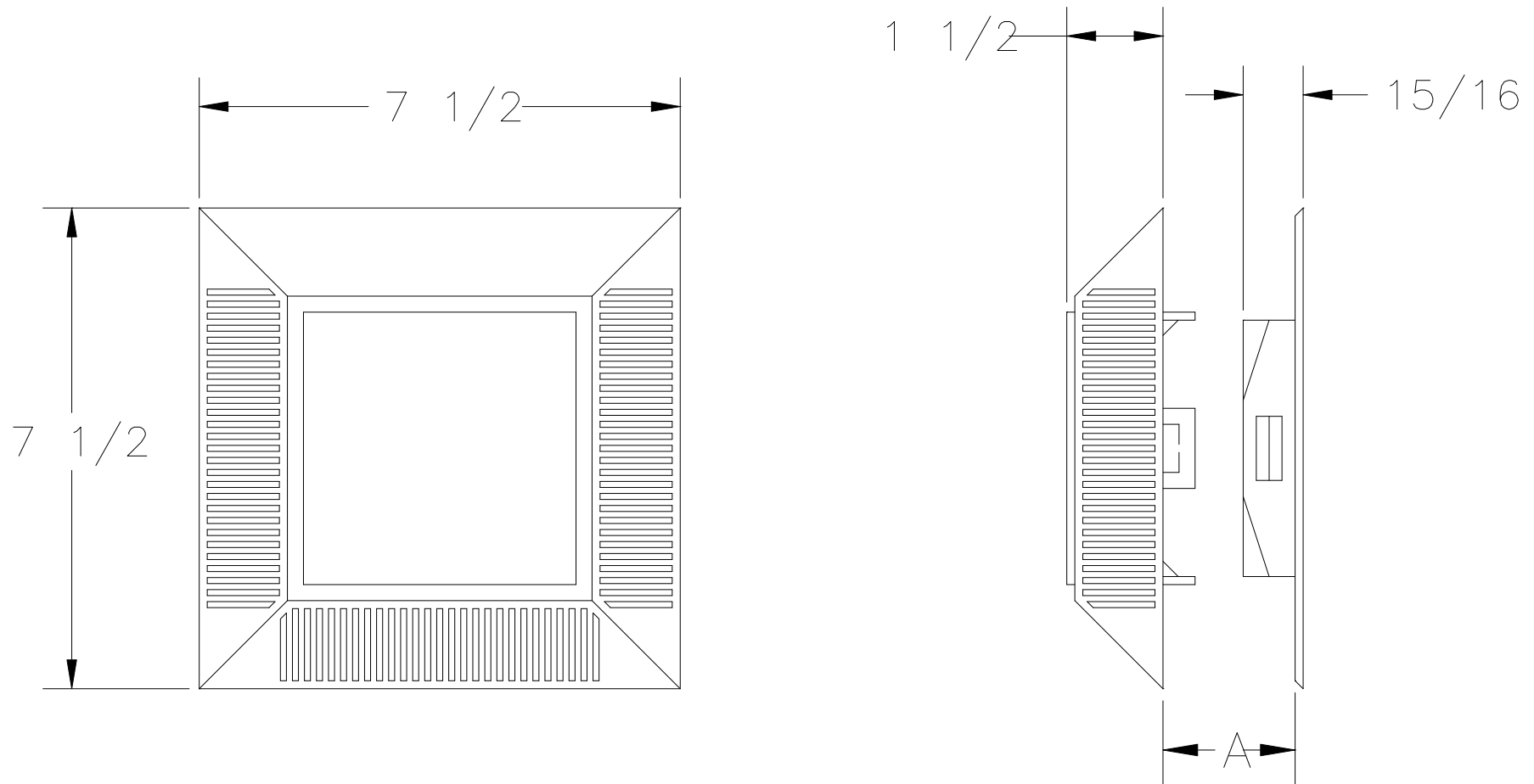


# INTAKE/EXHAUST MASTER



DIMENSION "A" LOCKING  
POSITIONS: .43, .62  
ALL DIMENSIONS IN INCHES