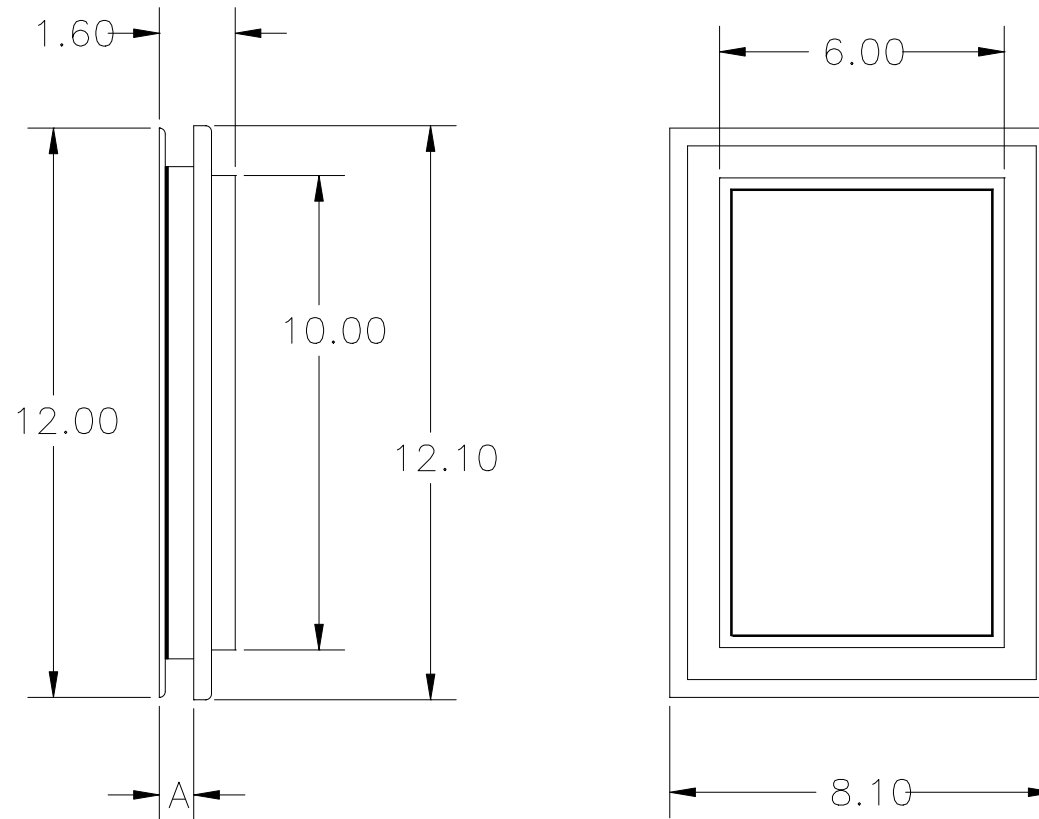


JUMBO

FOR MOUNTING COACH LAMPS
MAILBOXES, ADDRESSES AND
LARGE FIXTURES

8" X 12"



DIMENSION "A" LOCKING
POSITIONS: .75, 1.00, 1.25
ALL DIMENSIONS IN INCHES