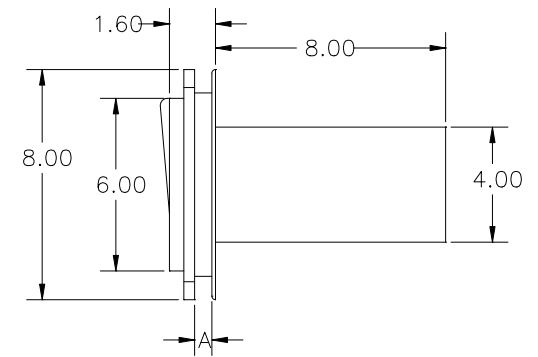
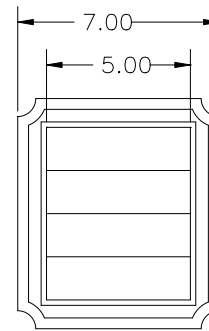


MASTER EXHAUST VENT



DIMENSION "A" LOCKING
POSITIONS: .75, 1.00, 1.25
ALL DIMENSIONS IN INCHES